

(19) World Intellectual Property Organization
International Bureau



(43) International Publication Date
14 March 2002 (14.03.2002)

PCT

(10) International Publication Number
WO 02/19922 A1

- (51) International Patent Classification⁷: A61B 17/068, 17/064, 17/00
- (21) International Application Number: PCT/IE01/00118
- (22) International Filing Date: 7 September 2001 (07.09.2001)
- (25) Filing Language: English
- (26) Publication Language: English
- (30) Priority Data:

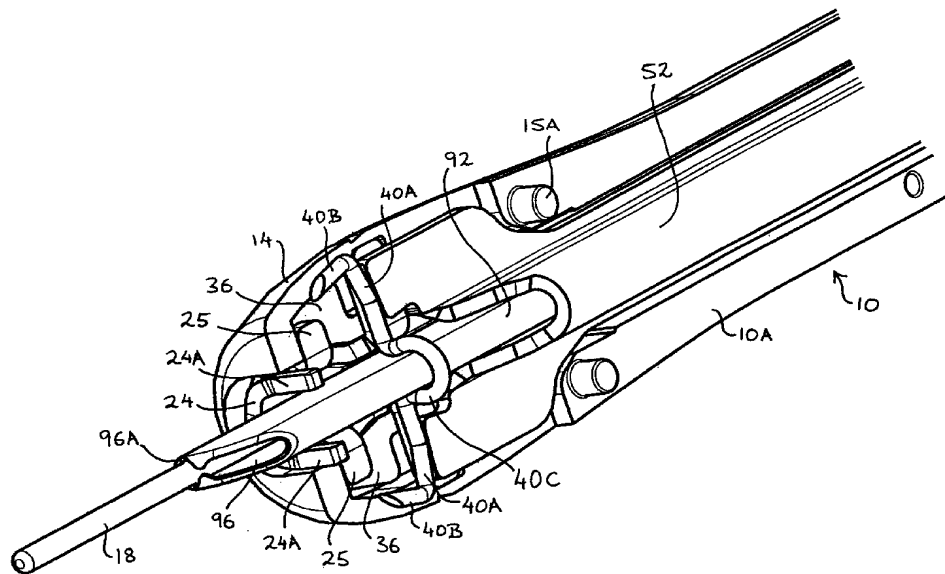
S00/0722	8 September 2000 (08.09.2000)	IE
S00/0724	8 September 2000 (08.09.2000)	IE
- (71) Applicants and
- (72) Inventors: COLEMAN, James, E. [IE/IE]; 20 Greenmount Road, Terenure, Dublin 6 (IE). CUMMINS, Christy [IE/IE]; 54 Knockowen, Tullamore, County Offaly (IE). MARTIN, Chris [AU/IE]; 2 Blackburn Square, Rathfarnham, Dublin 14 (IE). ANTHONY, Thomas [IE/IE]; 49 Grange Downs, Rathfarnham, Dublin 14 (IE).
- MORRIS, Sean [IE/IE]; Newpark, Kiltoom, Athlone, County Roscommon (IE).
- (74) Agents: BROPHY, David et al.; F.R. Kelly & Co., 27 Clyde Road, Ballsbridge, Dublin 4 (IE).
- (81) Designated States (national): AE, AG, AL, AM, AT, AU, AZ, BA, BB, BG, BR, BY, BZ, CA, CH, CN, CO, CR, CU, CZ, DE, DK, DM, DZ, EE, ES, FI, GB, GD, GE, GH, GM, HR, HU, ID, IL, IN, IS, JP, KE, KG, KP, KR, KZ, LC, LK, LR, LS, LT, LU, LV, MA, MD, MG, MK, MN, MW, MX, MZ, NO, NZ, PL, PT, RO, RU, SD, SE, SG, SI, SK, SL, TJ, TM, TR, TT, TZ, UA, UG, US, UZ, VN, YU, ZA, ZW.
- (84) Designated States (regional): ARIPO patent (GH, GM, KE, LS, MW, MZ, SD, SL, SZ, TZ, UG, ZW), Eurasian patent (AM, AZ, BY, KG, KZ, MD, RU, TJ, TM), European patent (AT, BE, CH, CY, DE, DK, ES, FI, FR, GB, GR, IE, IT, LU, MC, NL, PT, SE, TR), OAPI patent (BF, BJ, CF, CG, CI, CM, GA, GN, GQ, GW, ML, MR, NE, SN, TD, TG).

Declarations under Rule 4.17:

— as to applicant's entitlement to apply for and be granted a patent (Rule 4.17(ii)) for all designations

[Continued on next page]

(54) Title: SURGICAL STAPLER



(57) Abstract: A surgical stapler comprises a hollow shaft (10) and a tube (92) slidable axially within the shaft between a forward position wherein one end (96) of the tube projects beyond a free end of the shaft to enter a puncture site in a blood vessel and a rearward position wherein the end of the locator tube is retracted within the shaft. A surgical staple (40) straddles the tube (92) and is slidable thereon forwardly towards an anvil (92) against which the staple may be deformed to staple together the opposite edges of the puncture site. A cam mechanism drives the staple forwardly along the tube (92) into deforming engagement with the anvil and at the same time retracts the tube into the shaft in time to allow the legs of the staple to close onto the puncture site.



WO 02/19922 A1



— of inventorship (Rule 4.17(iv)) for US only

Published:

— with international search report

For two-letter codes and other abbreviations, refer to the "Guidance Notes on Codes and Abbreviations" appearing at the beginning of each regular issue of the PCT Gazette.

SURGICAL STAPLER**Field of the Invention**

5 The present invention relates to an instrument, herein
called a surgical stapler, for closing a puncture in a
liquid-carrying vessel by applying a staple across the
puncture so as to effect a closure. The invention
relates particularly to surgical staplers for closing
10 punctures in blood vessels.

Background to the Invention

When performing catheterisation procedures, such as
15 angiography or angioplasty, a catheter is generally
introduced into the vascular system by first
penetrating the skin, underlying tissues and blood
vessel with a sharpened hollow needle. Next, a
guidewire is commonly inserted through the lumen of the
20 hollow needle and is caused to enter the selected blood
vessel. Subsequently the needle is typically stripped
off the guidewire and a combination of a dilator and/or
introducer (or an introducer alone) are fed over the
guidewire and pushed through the skin to enter the
25 blood vessel. The guidewire can then be removed and a
desired catheter to carry out the procedure is fed
through the lumen of the introducer and advanced
through the vascular system until the working end of
the catheter is appropriately positioned. Following
30 the conclusion of the catheterisation procedure the
working catheter will be withdrawn and subsequently the
dilator and/or introducer will also be removed from the
wound. Following this procedure the vessel puncture

must be closed in order to prevent loss of blood through the puncture hole.

Typically the wound is closed by maintaining external
5 pressure over the vessel until the puncture naturally seals. This procedure can take approximately 30 minutes with the length of time usually being greater if the patient is hypertensive or anticoagulated. The procedure can also be uncomfortable for the patient and
10 involves costly professional time on the part of the hospital staff. Other pressure techniques such as pressure bandages, sandbags or clamps have been employed but these also involve ensuring the patient remains motionless for an extended period of time and
15 is monitored to ensure the effectiveness of the procedure.

A number of devices have been developed in recent times which provide an obstruction in the area of the
20 puncture in order to prevent bleeding. For example, US Patents 4,852,568 and 4,890,612 disclose a device which utilises a collagen plug which when placed at the blood vessel opening absorbs body fluids, swells and affects a seal. Other plug like devices, for example
25 US 5,222,974 and US 5,282,827, describe a plug and anchor device, the anchor being positioned inside the vessel and the collagen plug outside the vessel thereby sandwiching the puncture between both and effecting a closure.

30

WO 98/17179 discloses a surgical stapler having a blood locator tube adjacent the stapling head. A guidewire passes through an opening at the end of the tube and up

through a hollow bore in the tube, so that the stapler can be fed onto the guidewire and down onto the puncture site. When the device reaches the puncture site, the tip of the tube enters the blood flow within
5 the artery and blood passes through the tube and out of the distal end at a point visible to the clinician. The clinician can then actuate the stapling mechanism in the knowledge that the stapling head is at the puncture site in the arterial wall.

10

It is an object of the present invention to provide an instrument for closing a puncture in a liquid-carrying vessel by stapling.

15 **Summary of the Invention**

According to the present invention there is provided a surgical stapler comprising a shaft, a locator slidable axially of the shaft between a forward position wherein
20 the locator projects beyond a free end of the shaft to enter a puncture site in a liquid-carrying vessel in a human or animal, thereby to locate the free end of the shaft at the puncture site, and a rearward position wherein the locator is retracted relative to the shaft,
25 a surgical staple straddling the locator and slidable forwardly thereon, said staple having forwardly pointing legs disposed respectively on opposite sides of the locator, an anvil against which the staple may be deformed to staple together opposite edges of the
30 puncture site, and an actuator for driving the staple forwardly along the locator into deforming engagement with the anvil and for retracting the locator in coordination with the movement of the staple such that

the locator is withdrawn from between the legs of the staple in time to allow the legs of the staple to staple together opposite edges of the puncture site.

- 5 In another aspect the invention provides a method of stapling closed a puncture site in a liquid-carrying vessel in a human or animal body, comprising the steps of:

10 introducing a stapling mechanism to the location of the vessel;

positioning the stapling mechanism at the puncture site by means of a locator associated with the stapling mechanism and projecting forwardly thereof, the locator sensing the position of the puncture site by entering
15 the vessel at the site;

delivering a staple to, and deforming the staple to close, the puncture site; and

in co-ordination with the delivery and deformation of the staple, withdrawing the locator from the
20 puncture site such that the locator is fully withdrawn from the vessel by the time the staple is fully deformed to close the puncture site.

Preferably, the steps of delivering and deforming the
25 staple and in co-ordination therewith withdrawing the locator are effected by operating a single control on a stapler actuating mechanism.

Brief Description of the Drawings

30

An embodiment of the invention will now be described, by way of example, with reference to the accompanying drawings, in which:

Fig. 1 is a perspective view of an embodiment of a surgical stapler according to the invention;

5 Fig. 1(A) is an enlarged perspective view of the free end of the shaft of the stapler of Fig. 1;

Fig. 2 is a perspective view of the stapler of Fig. 1 with the left-hand side handle removed;

10

Fig. 3 is a perspective view of the stapler of Fig. 1 with the right-hand side handle and shaft removed;

15 Fig. 4 is an exploded perspective view of the components seen in Fig. 3 further omitting the left-hand side handle;

20 Fig. 5 is an exploded perspective view of the internal components at the free end of the shaft;

20

Fig. 6 is a perspective view of the internal components at the free end of the shaft in the pre-fire position and omitting the left-hand side of the shaft;

25 Fig. 7 is a side elevation of the components of Fig. 6 in the pre-fire position;

Fig. 8 is a front elevation of the components of Fig. 6 in the pre-fire position;

30

Fig. 9 is a perspective view of the internal components of the free end, showing the position of the components in mid-cycle with fully formed staple;

Fig. 10 is a side elevation of the components of Fig. 9 in the post-fire position;

- 5 Fig. 11 is a perspective view of the blood locator tube with enlarged views of the front and rear portions, Fig. 11A and Fig. 11B respectively;

10 Fig. 12 is a side sectional elevation of the front portion of an alternative embodiment of the blood locator tube of the stapler;

Fig. 13 is a perspective view of the front portion of the blood locator tube shown in Fig. 12;

15 Fig 13(A) is a perspective view of the front portion of an alternative embodiment of the blood locator tube shown in Fig. 12;

20 Fig. 14(A) is a perspective view of the surgical staple in the pre-fire (pre-deformed) state;

Fig. 14(B) is a perspective view of the surgical staple in the post-fire (deformed) state;

25 Fig. 15 is an enlarged perspective view of the cam mechanism;

Fig. 16 is a side elevation of the cam mechanism;

30 Fig. 17 is a side elevation of the shaft section of the device and suction port; and

Fig. 18 is an end view of the surgical staple, locator tube and insert.

Detailed Description of the Preferred Embodiments

5

Referring to the drawings, the stapler comprises a rigid shaft 10 extending from a moulded plastic housing 12 shaped in the form of a pistol-like handle. The shaft 10, which is hollow to accommodate various moving components to be described, comprises right and left-hand sides 10A, 10B respectively which are secured together at the distal free end by a section of heat shrinkable tubing 91 in combination with interference pins and mating cavities 15A and 15B (Figs. 4 and 5) along the edges of the distal tip, and at the proximal end by pins 17A mating in an interference fit with corresponding cavities 17B (Fig. 2 and 3) captured within the housing 12. Likewise, the housing 12 comprises left and right-hand sides 12A, 12B respectively.

10
15
20

The major part of the exposed length of the shaft 10 has a constant circular cross-section, but at its free end the shaft 10 has a portion 14 of increased diameter having a "bullet" profile. One end of this bullet portion 14 is tapered down toward a staple exit slot 16 while the other end is tapered down to the remaining section of the shaft, which extends back into the housing 12. The ratio of the maximum diameter of the bullet portion 14 to the diameter of the remaining section of exposed shaft is approximately 5:4. Heat shrink sleeve 91 sits flush with the surface of the

25
30

bullet portion 14, to ensure atraumatic entry, percutaneously, into the tissue.

5 The reason for the bullet profile is so that the shaft
10 is as atraumatic as possible during introduction to the body to minimise the amount of force and tissue dilation required when tracking the device percutaneously over a guidewire 18 and onto the surface of a blood vessel adjacent a puncture hole, as will be
10 described. In an alternative embodiment, not shown, the bullet portion 14 is oval in cross-section with the major axis of the oval being coincident with the staple exit slot 16, so as to minimise the circumferential length for a given staple width.

15

The bullet portion 14 of the shaft 10 houses a staple 40 and a staple delivery mechanism (Figs. 4 to 7). The staple delivery mechanism comprises a tiltable anvil 24 and a pair of rod-like actuating members, namely an
20 elongated anvil support 30 and an elongated staple former 52, the latter being slidable in the shaft 10 and operated by a trigger-operated cam mechanism 62 in the handle housing 12.

25 The anvil 24 has a pair of upstanding fingers 24A at the front and a pair of downwardly inclined tilt arms 24B at the rear. The anvil 24 is tiltably mounted in the bullet portion 14 by a pair of wings 26 which are pivotable in recesses 28 in the right-hand side 10A of
30 the shaft 10 (the wings 26 are retained in the recesses by the underside of projections 54 on the former 52).

Tilting of the anvil 24 is effected by the cam mechanism 62 via the anvil support 30, which is slidable axially within the right-hand shaft side 10A in channel 32. The front end of the anvil support 30 is bifurcated to form two arms 34 having lateral projections 36 (Figs. 6 and 7). The arms slide in rebates 38 in the right-hand shaft side 10A. The anvil support 30 is movable, by the cam mechanism 62, from a forward position, Figs. 6 and 7, wherein the arms 34 extend under the anvil's support wings 25 to support the anvil forming fingers 24A directly in front of a surgical staple 40 to be delivered, to a rearward position, Fig. 10, wherein the arms 34 are withdrawn under the downwardly inclined tilt arms 24B at the rear of the anvil 24 so as to tilt the anvil anti-clockwise (as seen in Fig. 10) and displace the fingers 24A out of the path of the staple 40. The angle of incline of tilt arms 24B may be increased to cause separation of the two shaft halves, in addition to displacing the fingers 24A out of the path of the formed staple, to aid in staple release. This is achieved by the anvil (in its fully tilted position) applying pressure to the underside of former 52 and the upper surface of the right shaft 10A.

25

Referring additionally to Figs. 11, 11A and 11B, a hollow blood locator tube 92 is slidable axially within the shaft 10 in a channel 44 in the anvil support 30 and in an opposing U-shaped channel 53 in the staple former 52. The tube 92 extends the full length of the shaft 10 and has a constant, generally oval or elongated cross-section, except at its distal tip 14

30

where the locator tube 92 is formed into a narrow opening 96 and at a crimped region 94 towards the rear of the tube 92 which is formed to allow only the guidewire 18 and not blood to exit the rear of the
5 locator tube.

Under the action of the cam mechanism 62 the tube 92 is slidable axially in the shaft 10 between a forward position, Figs. 6 and 7, wherein its front end projects
10 beyond the bullet portion 14 of the shaft 10 under the influence of a leaf spring 88 to be described, and a rearward position, Figs. 9 and 10, wherein the front end of the tube 92 is retracted within the bullet portion 14 behind the fingers 24A of the anvil 24
15 during the rotation of cam 62.

The purpose of the blood locator tube 92 is to follow a previously placed guidewire 18 to a puncture site in a blood vessel, thereby to locate the free end of bullet
20 portion 14 of the shaft 10 against the exterior wall of the blood vessel at the puncture site. To properly locate the bullet portion 14 the front end of the tube 92 must actually penetrate the blood vessel wall at the puncture site and this is indicated by blood flowing
25 back through the tube 92 and out through a blood outlet port 93 (Fig. 11) in the tube. A channel (not shown) in the part of the left-hand side 10B of the shaft 10 within the housing 12 provides communication between the port 93 and a blood exit port 50 (Fig. 1) on the
30 side of the housing 12B, so that the blood flowing back through the tube 92 is visible at the exterior of the housing.

A blood exit port adapter 51 (Fig. 1) may be secured into the opening of the blood exit port 50 via a matching male luer taper 51A to enhance the visibility of the exiting blood. The blood exit port adapter has a reduced internal diameter, relative to the opening of the blood exit port 50, which for a constant blood flow increases the pressure of exiting blood causing a jet effect of exiting blood.

10 In the absence of the blood exit port adapter, the blood exit port's female luer taper opening matches that of the standard medical syringe's male luer taper making it possible at any time during the device's use to inject fluid via the blood exit port into the lumen of the locator tube to exit at its distal tip. This may be necessary from time to time to clear the locator tube's lumen of congealed blood and of trapped soft tissue. Alternatively, radiopaque contrast medium may be injected via the locator tube to confirm the relative location of the locator tube's distal tip to that of the blood vessel wall by fluoroscopy, or any injectable fluids may be injected for diagnostic or therapeutic reasons.

25 The blood outlet port 93 is sized to have a minimum area corresponding to the available blood entry area at the distal tip; however, is narrower (in a transverse aspect) than the diameter of the guidewire 18 to prevent the guidewire inadvertently exiting the blood outlet port during insertion, instead of exiting from the intended proximal end of the locator tube.

It has been found that the naturally formed shape of puncture wounds in arterial walls is elongated rather than round. Whereas the hole is formed by introducing instruments generally of round cross section, the wall
5 tends to open generally along a transverse line which lies in the direction of the circumference of the artery (rather than along the axis of the artery). By having a generally oval blood locator tube, the locator tube (when introduced by the clinician with the major
10 axis of the oval perpendicular to the axis of the artery), will fit more naturally within the arterial opening. The consequence of this is that the wound edges which are to be stapled together, lie closer together than if a tube of circular cross section were
15 to be used.

This in turn has the consequence that the staple used need not be so large, and in turn, the dimensions of the shaft, which must accommodate the staple when in
20 its unformed state, can be reduced, leading to less trauma for the tissue into and from which the shaft is introduced.

A further consequence of having a generally oval or elongated cross section for the locator tube is that
25 the tube will be more disposed to the centre of the puncture than with a rounded tube. The present embodiment has a staple which straddles the locator tube, thereby increasing the likelihood of the staple
30 closing the elongated wound at its centre rather than towards one or other of the extremities of the wound.

The opening 96 at the front of the tube 92 has an approximately circular portion 96A at the extreme forward tip of the tube which is of greater diameter than the width of the remaining portion 96B of the opening 96. The portion 96B is in the form of a slot which is aligned with the major axis of the elongated cross-section of the tube 92 and slopes rearwardly from the circular portion 96A. The guidewire 18, which passes through the tube 92, Fig. 11, is chosen to be of sufficiently smaller diameter than the diameter of the opening 96A at the front end of the tube 92 for the guidewire 18 to be easily inserted into the tube 92 and pass through the opening 96A. However, the guidewire is also chosen to be too large to fit within the remainder 96B of the opening 96. In this way guidewire 18 is constrained to remain in opening 96A, and the size of opening 96A sets an upper limit on the diameter of guidewire which can be used with the device. One could introduce a narrow neck or constriction into the opening 96 just above opening 96A (at the points indicated by 96C) to ensure that very small guidewires were constrained within the enlarged opening 96A, but in general this is unnecessary as the guidewire will normally be supplied with the device, or the device will only be supplied for use with a particular gauge of guidewire.

The rear crimp 94 and tip opening 96A are positioned to encourage the guidewire to lie along the bottom curved surface of the tube, i.e. that portion of the tube lying in a direct line between the opening in the crimped end and the opening 96A. This helps prevent guidewire 18 from laying up against the inside of blood

exit port 93 and preventing egress of blood, Fig. 11A and 11B.

5 The curvilinear nature of opening 96 increases the available inlet area to match that of the available area within the body of the locator tube with the guidewire 18 in situ.

10 The slot-like opening 96B slopes away from the circular opening 96A for ease of insertion into the vessel opening and to reduce the potential of trauma to the inner wall of the vessel opposite the opening being stapled. This is achieved because the guidewire 18 protruding from opening 96A will tend to push the
15 opposite wall of the vessel away from the locator tube tip, and the point at which the guidewire protrudes (due to it being constrained in the opening 96A) is the farthest part forward of the tip. Thus, the shape of the tip is streamlined away from opening 96A to prevent
20 any part of the tip gouging into or otherwise damaging the inner vessel walls. Also, the peripheral edges 95 of the opening 96 are bent inwardly to avoid sharp edges which might damage soft tissue and the vessel wall.

25 The distal end of an alternative embodiment of a locator tube 42 is shown in Figs. 12 and 13. This embodiment also has a substantially constant elongated cross-section, which in this case converges to an
30 approximately circular guidewire opening 46 at the extreme forward tip of the tube. The guidewire 18, which passes through the tube 42, is usually chosen to be of sufficiently smaller diameter than the diameter

of the opening 46 for there to be an adequate gap for the blood to pass back through the tube 42 even in the presence of the guidewire. However, further openings 46A are provided in opposite sides of the tube 42 just behind the front opening 46 to allow more ready access of the blood to the interior of the tube in cases where the guidewire 18 may not leave a large enough gap for passage of blood solely through the opening 46. The three openings 46, 46A, 46A in fact form respective portions of a single front opening, being in reality three connected lobes, all connected by constricted channels 47, and all in communication with the interior of the tube.

An alternative embodiment is shown in Fig. 13(A) where the three openings 46, 46A and 46A, while collectively constituting the front opening of the tube 42, are independent of each other. Again, opening 46 at the front of the tube is sized to receive a maximum size of guidewire and openings 46A are sized to allow a sufficient flow of blood to enter the locator tube.

A problem can arise in devices of this type where an oversized guidewire is used which occludes the hollow interior of the blood locator tube and thereby prevents blood flow back through the tube. To prevent this situation the lobe 46 through which the guidewire emerges in the tip of the tube of Figs. 12, 13 and 13A is of a lesser diameter than the internal bore of the tube. The dimensions of this lobe 46 set a maximum for the guidewire diameter for use with the device, and ensure that even when this maximum diameter guidewire is used, there is still sufficient internal clearance

within the tube bore to allow a strong blood flow through the tube from the other lobes 46A.

The staple 40 straddles the blood locator tube 92 within the bullet portion 14 of the shaft 10, see Figs. 6 and 8, and is slidable thereon forwardly towards the free end of the bullet portion 14. In particular (see also the enlarged view of Fig. 14), the staple 40 comprises a back or base portion 40A from which extend perpendicularly at each end respective legs 40B which terminate in sharpened points. The base portion 40A and legs 40B lie in substantially a common plane except for a centre portion 40C of the base portion 40A which is deformed in a direction perpendicular to the legs 40B so as to have an Ω (omega) shape generally complementary to the external cross-sectional profile of the blood locator tube 92 and internal cross-section of an insert 160, to be described. The base section 40A is pre-bent to between 150° and 170° at points A and B equidistant from the centre of the base, positioned to maximise the closure of the closed staple (and is relevant to the depth of forming wings 54 on the former 52). The base section is also deformed at points C & D so as to narrow the cross sectional width of the wire at both points thereby directing the staple to bend at these points. The staple 40 is mounted on the blood locator tube 92 such that the centre portion 40C of the staple sits on the upper half of the tube 92, as seen in Fig. 6 and 8, where the narrow open section of the omega shape is approximately equal to the width of the tube and with the legs 40B pointing forwardly on opposite sides of the tube 92. The depth of the centre portion 40C of the staple 40 is such that

the legs 40B of the staple lie substantially directly on opposite sides of the central axis of the tube 92. This will ensure that the staple 40 is positioned centrally across the puncture hole in the blood vessel.

5 In order to avoid the guidewire 18 fouling the staple 40 when the latter is closed on the puncture site, the hole 96A is offset below the plane containing the legs 40B of the staple, Fig. 8.

10 The metal insert 160 is received in a recess in the left-hand shaft side 10B within the bullet section 14. The insert 160 provides mechanical support for the omega section 40C of the staple 40 during the staple forming process and is engaged by the former 52 during
15 the staple ejection phase of the process so as to separate both halves of the bullet section for easy staple release. The insert is profiled to generally correspond with the external profile of the omega shaped portion 40C of the staple. At the distal end
20 the insert profile tapers down to closely approximate the omega-shaped portion of the staple 40C (Fig. 18). This has the effect of offering mechanical support to the omega-shaped portion of the staple during the staple forming process, during which the base section
25 is bent about the anvil fingers. This bending motion in turn causes the omega to open up or flatten out. The metal insert prevents this from happening only allowing the staple base to deform around the anvil. The omega interlock system between the staple 40 and
30 insert 160 (Fig. 18) also stabilises the staple, vertically, within the staple exit plain during the forming process, whilst allowing easy staple release

once formed, due to the relatively small contact area between staple and insert.

The staple former 52 has a cross-section conforming to
5 that of the blood locator tube 92 and is slidable on
the blood locator tube 92 axially within the shaft 10.
The former 52 is located behind the staple 40 on the
tube 92 and is operated by the cam mechanism 62. At
its front end the former 52 has a pair of forming arms
10 54 which are so shaped that, when the former 52 is
driven forward by the cam mechanism 62, the staple 40
is driven against and deformed around the anvil fingers
24A so that the legs 40B of the staple close together
(Fig. 9) onto the puncture site. The surface of the
15 forming arms which contact the staple 55 may be so
profiled to match the cross-sectional geometry of the
staple. This matching profile stabilises the staple on
the forming surfaces of the forming arms 54 during the
high pressure contact with the staple during staple
20 forming and closure. During the forward movement of
the staple, the staple legs slide toward the anvil 24
along a track defined by the staple exit slot 16
between the opposite halves the bullet portion 14. The
slot 16 provides a slight interference fit on the
25 staple legs 40B to prevent the staple 40 moving forward
during storage of the device or prior to firing. The
slot 16 further prevents the staple rotating in the
horizontal plane (Fig. 7 and 10) during its forward
travel. Once forming of the staple around the anvil is
30 completed the forming force is removed from the former
52 by a drop-off in the cam, the anvil is lowered and
the former advanced again to eject the staple from the
device. During this forward movement (ejection phase),

the sloped edges 52A and 52B of the former engage with the metal insert 160 to prise open the bullet section of the shaft assembly thus facilitating staple release.

- 5 The cam mechanism 62 can be seen in Fig. 3 and in enlarged views of Figs. 15 and 16. The mechanism 62 consists of a first cam 58 and a second cam 60 mounted on a common axis 62 which sits in a recess 64 in the left-hand side 10A of the shaft (Fig. 4) and a
- 10 corresponding recess (not shown) in the right-hand side 10B. Trigger 56 is similarly mounted in the shaft by a pair of stub axles 66 which are received in a trigger seating recess 68 in each half of the shaft 10, Fig. 4.
- 15 An actuating pin 70 extends through the first and second cams 58, 60. This actuating pin is acted on by a cam actuating surface 72 (Fig. 3) provided on the trigger 56, so that when the trigger is squeezed the actuating surface moves the actuating pin in an
- 20 anticlockwise direction around the axis 62. Because the actuating pin extends through both cams 58, 60 of the mechanism 62, the cams are both rotated simultaneously through the same angle as determined by the trigger squeeze. The use of this cam mechanism
- 25 ensures accurate timing and positive mechanical displacements of all the moving components and accurate movement of the components relative to each other. The geometry of the trigger pivot pins 66 and actuating surface 72 relative to the cam pivot 62 and cam
- 30 actuating pin 70 is configured to minimise the trigger rotation to only 23 degrees whilst the cam rotates a total of 90 degrees. This configuration also provides a mechanical advantage that the trigger delivers to the

cam-actuating pin 70 of approximately 1:4. This geometry is further configured to deliver the best mechanical advantage at the phase during the staple forming cycle, which requires the highest forming forces, having the advantage of minimising the trigger effort and ensuring a constant trigger effort over the full cycle. Trigger 56 further comprises a ratchet lever 73B, shown in Fig. 3, which engages with ratchet strip 73A, which is mounted in the right handle 12A, Fig. 3. This non-return ratchet system ensures the firing cycle of the staple is uninterrupted, non-repeatable and provides a positive indication that the device has been used.

Referring back to Fig. 3, a leaf spring 88 positioned in a recess in the left-hand side 10A of the shaft and a corresponding recess (not shown) in the right-hand side 10B. The free ends of the spring are formed into a loop so as to pivot freely in the curved corner recesses in which it sits and to aid assembly. The apex of this spring is positioned in a slot 74 in the crimped portion 94 of the blood locator tube 92 thus assuming the role of cam follower for the blood locator tube. This blood locator tube cam follower 74 is acted on by the first cam 58. Similarly, the first cam 58 acts on a former cam follower 76, whereas the second cam 60 acts on anvil-support cam followers 78A and 78B. The shape of the first and second cams 58, 60 are shown in elevation in Fig. 16 (the second cam 60 is shown in dotted outline as it is concealed by the first cam). Fig. 16 also shows actuating pin 70, and a reinforcing strut 80 mounted between the first and second cams diametrically opposite the actuating pin 70.

The cams are shown in the starting positions in Fig. 15 and 16. Squeezing the trigger fully (through an angle of 23 degrees) causes the cams to rotate anticlockwise
5 through 90 degrees.

The apex of the leaf spring 88 which engages with and operates as a cam follower for the blood locator tube (leaf spring apex) acts against the rear surface 82 of
10 the first cam 58. As the first cam rotates anticlockwise from the position shown in Fig. 15, the distance between the blood locator tube cam follower 74 and the axis 62 is increased. This causes the blood locator tube to be drawn backwards as the trigger is
15 squeezed.

The former cam follower 76 acts against the front surface 84 of the first cam 58. Again the distance between former cam follower 76 and axis 62 increases
20 through the initial stages of the trigger being squeezed. The profile of surface 84 is designed with two distinct non-linear efficiencies, transitioned from low mechanical efficiency/high displacement to high mechanical efficiency/low displacement. The first rise
25 rate being for displacement of the staple from its starting position to initial forming against the anvil, which requires the largest displacement of the staple with minimal load. The second non-linear rise rate is designed to correlate the cams mechanical efficiency
30 with the load profile required to form the closed staple, minimising the trigger effort required and ensuring a constant trigger effort over the full cycle. A V-shaped section 84A of front section 84 causes the

former 52 to momentarily suspend its forward motion when the staple has been fully formed. The effect of this is to momentarily release the pressure off the formed staple against the anvil, allowing the anvil to be dropped. The geometry of the distal tip of the former is designed to provide sufficient intrinsic spring tension to allow the forming arms 54 to further squeeze the formed staple, once the anvil has dropped, to further closed the formed staple. As the cam continues to rotate the raised profile 84B on the cam causes the former to advance forward again, ejecting the staple clear of the device.

It can be seen that a raised hump 82A on the profile of the rear surface 82 of the first cam is located almost diametrically opposite the V-shaped section 84A. The reason for this is to increase the rate at which the blood locator tube is drawn out of the puncture site just before the staple is fully formed and released. The intention is to leave the tube in the puncture as late as possible to provide support for the walls of the blood vessel for as long as possible And also to ensure that the head of the device remains centred over the puncture hole. The blood locator tube 92 is biased forward by the blood locator tube leaf spring 88 which also maintains pressure between the apex of the spring and the rear surface 82 of the first cam 58.

The blood locator tube leaf spring 88 allows the locator tube to be displaced in a proximal direction (back into the shaft of the device) against the spring tension in the event that the locator tube meets any significant resistance during insertion of the device,

to prevent unnecessary trauma to soft tissues, the vessel or its rear wall.

An example of where this is particularly useful is if
5 the stapler is advanced too far into the vessel, so
that the tip of the tube 92 meets the inner wall. The
blood locator tube will then be displaced back into the
shaft, and may be designed to protrude through the end
of the handle housing to give a visual indication that
10 the device has been inserted against the wall.
Furthermore, the device may be designed so that the
blood outlet port 93 on the tube 92 is brought out of
registry with the blood exit port 50 in the handle
housing when the tube is displaced backwards, so that
15 the clinician will note the flow of blood ceasing when
the tube meets the inner vessel wall in this way.

The cam mechanism 62, however, provides positive
mechanical displacements for withdrawing the locator
20 tube at the appropriate timing, to ensure there is no
chance of the staple being formed whilst the locator
tube is in a forward position and potentially
interfering with the staple formation.

25 A further reason to leave the blood locator tube in the
puncture hole as late as possible is that the continued
retraction of the tube everts or turns outwards the
opposed edges of the puncture wound and aids
penetration of the staple legs into the arterial wall.
30 Eversion of the edges of the puncture helps prevent
thrombus formation within the vessel. Yet another
reason to leave the blood locator tube in the puncture
hole as late as possible is to ensure that the stapler

head remains centred over the hole during the staple
delivery process. When the locator tube is fully
retracted, only the guidewire is left within the wound,
and this will be easily retracted from the closed wound
5 after the stapler has been removed from the puncture
site.

The anvil-support cam follower 78B acts against the
rear surface 90 of the second cam 60. It can be seen
10 that this rear surface 90 provides the greatest
increase in distance relative to the axis to the
section 90A from about 60 to 90 degrees below the
horizontal. The reason for this is that the anvil is
maintained in place until the staple has been formed
15 and the pressure on the former has been relaxed
slightly to allow the anvil to drop. The anvil is
maintained in place for the initial 60 degrees of
rotation by the anvil-support cam follower 78A being in
contact with cam surface 98 of cam 60, preventing the
20 anvil-support 30 from moving from its starting
position. The cam surface 98 for the first 60 degrees
of cam rotation is at a constant distance from the cam
axle 62 (in dwell).

25 In use, the stapler is initially in the "pre-fire"
configuration shown in Figs. 6 to 8. The front end of
the blood locator tube 92 is in a fully forward
position projecting beyond the free end of the bullet
portion 14 of the shaft 10, the anvil-support 30 is in
30 a fully forward position with its arms 36 extending
under the anvil's support wings 25 ensuring the anvil
fingers 24A are directly in front of the staple 40, the
former 52 is in a fully retracted position away from

the anvil fingers 24A, and the staple 40 is in its fully back position up against the forming arms 54.

In this configuration the external end of a previously
5 positioned guidewire 18 is inserted into the hole 96A
in the front end of the blood locator tube 92 and fed
through the tube 92 until it exits a guidewire exit
port at the rear of the housing 12. The stapler is now
fed along the guidewire 18 until the tip 95 of the tube
10 92 enters the blood vessel lumen through the vessel's
puncture hole. This is indicated by blood flowing out
of the blood exit port 50 or, if present, the adapter
51. At this point the front end of the bullet portion
14 of the shaft 10 will be resting against the exterior
15 wall of the blood vessel.

Now the trigger 56 is squeezed, causing the cams of the
cam mechanism 62 to rotate through 90 degrees. As
mentioned, the rear end of each of the blood locator
20 tube 92, anvil-support 30 and former 52 are coupled to
the cam mechanism via cam followers and the following
co-ordinated movement of these components takes place
as the cams rotate through 90 degrees.

25 (A).

0 degrees: Stapler in pre-fire configuration.

32 degrees: Former 52 forward sufficiently to clamp
staple against anvil fingers 24A, blood locator tube
begins to retract. At this point the staple legs will
30 have punctured the wall of blood vessel, but the staple
is not yet fully deformed.

50 degrees: Former 52 forward sufficiently to deform
the staple legs around the anvil fingers 24A and close

the staple on the puncture site: blood locator tube 42 fully retracted. At some point between 32 and 50 degrees, the blood locator tube will have withdrawn from between the staple legs in time to allow them to close. This should be left as late as possible to provide support for the walls of the blood vessel for as long as possible.

65 degrees: Clamp force released from staple (due to drop off in cam profile). Anvil support 30 starting to retract.

75 degrees: Anvil support 30 retracted sufficiently to act against anvil sloped tilt arms 24B. Anvil fingers 24A begin to drop.

83 degrees: Anvil support 30 fully retracted. Anvil fingers 24A dropped down to allow release of staple. Intrinsic tension in former arms 54 further closes the staple. Former 52 begins to move forward again to eject staple. Former 52 begins to interfere with the insert 160 to spread bullet portion 14 of the shaft to allow for clear staple release.

90 degrees: Former 52 fully forward; staple ejected from the device.

The use of cams in cam mechanism 62 ensures the accuracy of sequence and relative timing between events as well as ensuring positive mechanical displacements of all components.

In a further embodiment to the above described device, on the completion of the cycle described above, further rotation of the cam causes the anvil support 30 to return to its fully forward position, lifting the anvil fingers 24A to their raised position behind the formed

staple being held in forming arms 54. The former is then retracted in a proximal direction (back into the shaft) causing the rear of the closed staple to crash into the raised anvil fingers 24A, to be positively
5 ejected from within the forming arms 54 and the device. The additional movements of the anvil support and former may be facilitated by additional cam lobes on cam 58; or alternatively spring driven, assisted and timed by appropriately positioned radial slots in cam
10 58 to allowing the cam follower of the anvil support to move forward and the cam follower of the former to move rearwards.

In a further embodiment the trigger activates an
15 automatic firing cycle, not shown. A tension spring attached to the cams is released from its extended state so as to rotate the actuation cam through a 90 degree arc causing the same component movements as described above.

20

In an alternative embodiment, not shown, once the staple has been formed the forward end of the former 52 retracts and engages pull arms on the anvil-support 30 causing it to move in a rearward direction. As it does
25 so, it engages with the rear end of the anvil 24, which is angled downward into the path of the moving slide. Centrally opposed wings extend from the anvil and are located so as to pivot in opposed wing slots formed in the right-hand side 10A of the shaft. Once engaged
30 with the slide the rear end of the anvil is pushed upward causing it to pivot about the wings and arc the forward end of the anvil downward. As it does so, it

disengages from the staple so that the device can be removed from the puncture tract along the guidewire.

In a further embodiment the reverse profile 82 on the first cam 58 which engages with the cam follower 74 on the blood locator tube 92 is extended so that when the staple forming cycle is completed the first cam continues to rotate causing the blood locator tube to move further in a proximal direction. At its distal end the blood locator tube has wings which as it moves in a proximal direction engages with the pull arms of the anvil-support 30 causing it to move in a proximal direction and engage the anvil tilt arms thereby disengaging the distal end of the anvil from the formed staple. In this embodiment the second cam is redundant and can be omitted.

In a further embodiment, Fig. 17, the bullet head 14 of the shaft 10, which approximates the blood vessel wall 208, includes a number of suction ports 200. These ports are in communication with a suction adapter 202 via capillaries 204 within the shaft section. Suction, from a standard wall suction outlet or independent suction pump, is supplied to the suction adapter 202 via an on/off tap 206. Once the device is in position on the arterial wall, as indicated by blood flowing from the blood exit port, the tap 206 is turned to the "on" position thereby delivering suction to the ports 200 on the bullet head 14. This in turn suctions the blood vessel wall 208 against the face of the head 14 so as to stabilise it during delivery of the staple. Once delivered the suction is deactivated so as to

remove the device from the blood vessel wall and tissue tract.

The invention is not limited to the embodiments
5 described herein and may be modified or varied without
departing from the scope of the invention.

Claims

1. A surgical stapler comprising a shaft, a locator
slidable axially of the shaft between a forward
5 position wherein the locator projects beyond a free end
of the shaft to enter a puncture site in a liquid-
carrying vessel in a human or animal, thereby to locate
the free end of the shaft at the puncture site, and a
rearward position wherein the locator is retracted
10 relative to the shaft, a surgical staple straddling the
locator and slidable forwardly thereon, said staple
having forwardly pointing legs disposed respectively on
opposite sides of the locator, an anvil against which
the staple may be deformed to staple together opposite
15 edges of the puncture site, and an actuator for driving
the staple forwardly along the locator into deforming
engagement with the anvil and for retracting the
locator in co-ordination with the movement of the
staple such that the locator is withdrawn from between
20 the legs of the staple in time to allow the legs of the
staple to staple together opposite edges of the
puncture site.

2. A surgical stapler as claimed in claim 1, wherein
25 the actuator drives the staple via an elongated former
slidable axially of the shaft.

3. A surgical stapler as claimed in claim 1 or 2,
wherein the anvil is tiltable relative to the shaft
30 axis between a first position wherein the anvil is in a
position for engagement by the staple and a second
position wherein the anvil is clear of the staple, the
actuator further including a tilting mechanism for

tilting the anvil in co-ordination with the movement of the locator and staple such that the anvil is tilted from the first position to the second position after closure of the staple onto the puncture site.

5

4. A surgical stapler as claimed in claim 3, wherein the tilting mechanism for tilting the anvil comprises an elongated member slidable axially within the shaft.

10

5. A surgical stapler as claimed in any preceding claim, wherein the locator has a generally oval cross-section.

15

6. A surgical stapler as claimed in any preceding claim, wherein the forward end of the locator is tapered.

20

7. A surgical stapler as claimed in any preceding claim, wherein the legs of the staple lie substantially directly on opposite sides of a central axis of the locator.

25

8. A surgical stapler as claimed in any preceding claim, wherein the locator comprises a hollow tube having an opening at the forward end to enable liquid flow to be sensed within a liquid-carrying vessel to thereby locate the puncture site in the vessel.

30

9. A surgical stapler as claimed in claim 8, wherein a guidewire is carried within the locator tube and wherein said guidewire emerges from said tube at the opening.

10. A surgical stapler as claimed in claim 9, wherein the opening at the forward end of the locator tube is disposed on the tube so as to cause the guidewire to emerge offset from between the legs of the staple.

5

11. A surgical stapler as claimed in any preceding claim, wherein a portion of the shaft has an increased diameter at its free end.

10 12. A surgical stapler as claimed in any preceding claim, wherein the shaft is attached to a handle and the actuator comprises a cam mechanism mounted in the handle.

15 13. A surgical stapler as claimed in claim 12, when dependent on claim 2, wherein the cam mechanism comprises a cam which drives the former forward to deform the staple against the anvil, and which is shaped to relax the driving force once the staple has
20 been formed to thereby enable the staple to be cleared from the anvil.

14. A surgical stapler as claimed in claim 12 or 13, wherein the cam mechanism is trigger operated.

25

15. A method of stapling closed a puncture site in a liquid-carrying vessel in a human or animal body, comprising the steps of:

30 introducing a stapling mechanism to the location of the vessel;

positioning the stapling mechanism at the puncture site by means of a locator associated with the stapling mechanism and projecting forwardly thereof, the locator

sensing the position of the puncture site by entering the vessel at the site;

delivering a staple to, and deforming the staple to close, the puncture site; and

5 in co-ordination with the delivery and deformation of the staple, withdrawing the locator from the puncture site such that the locator is fully withdrawn from the vessel by the time the staple is fully deformed to close the puncture site.

10

16. A method according to claim 15, wherein the steps of delivering and deforming the staple and in co-ordination therewith withdrawing the locator are effected by operating a single control on a stapler

15 actuating mechanism.

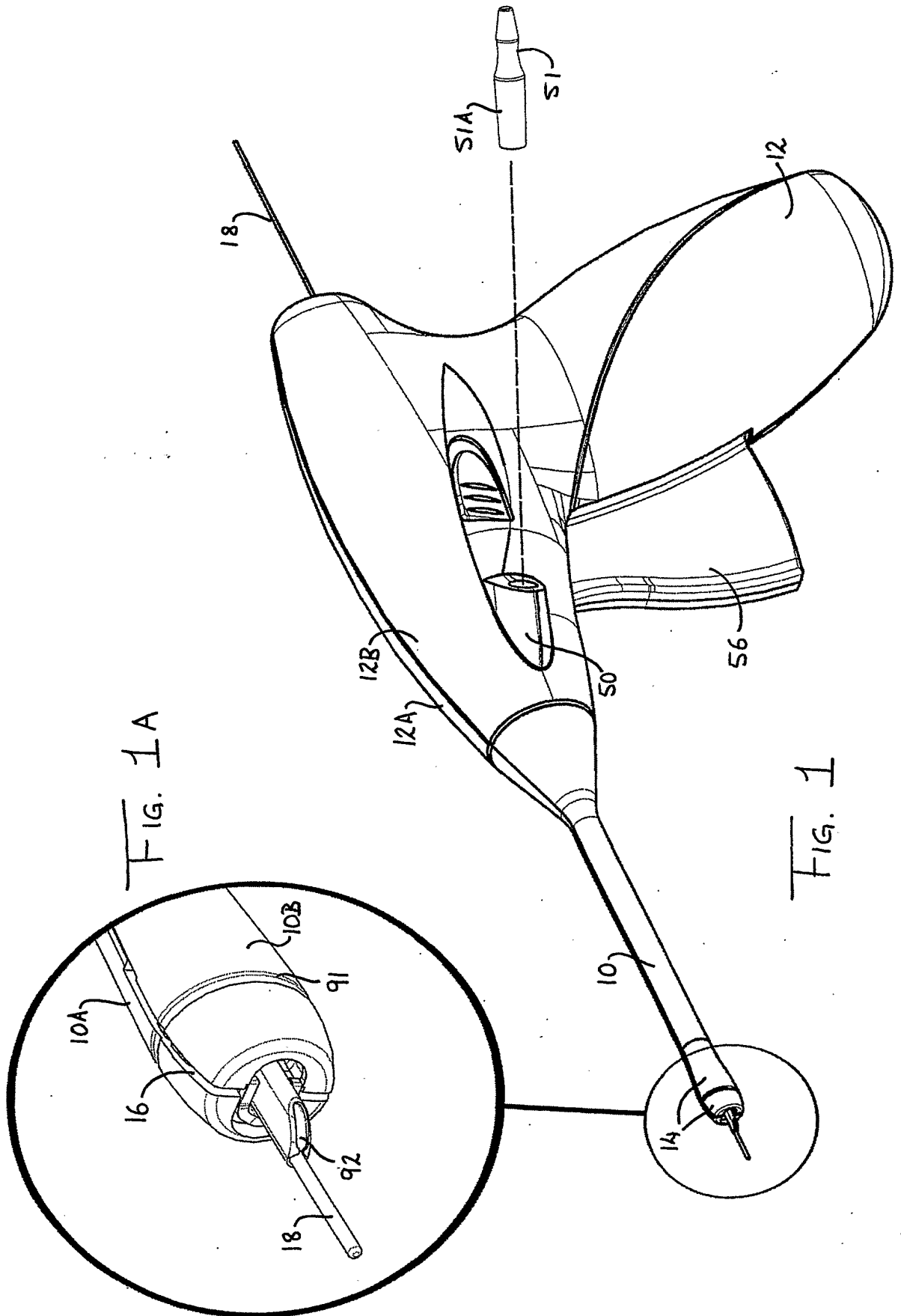


FIG. 1A

FIG. 1

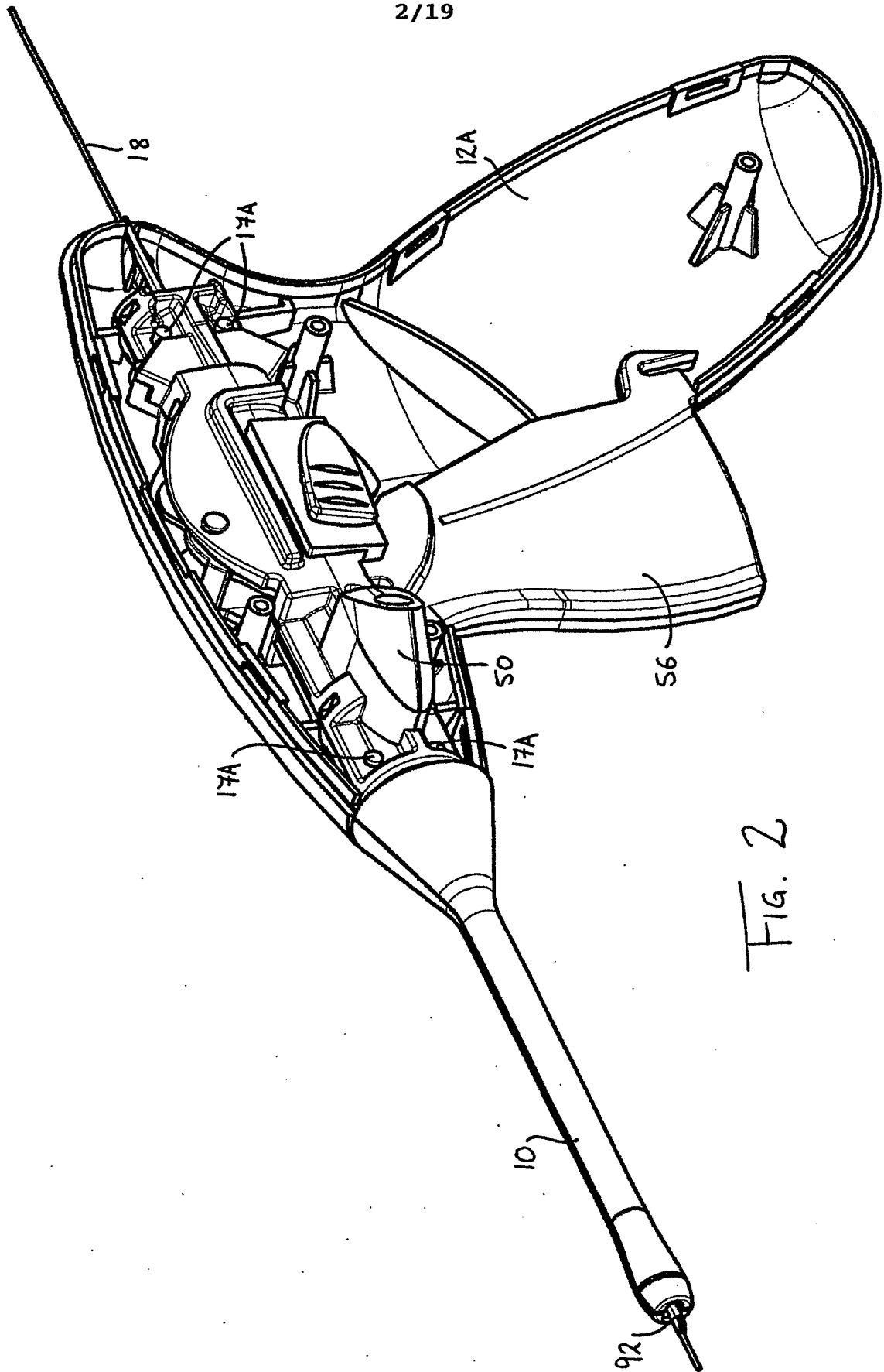


FIG. 2

3/19

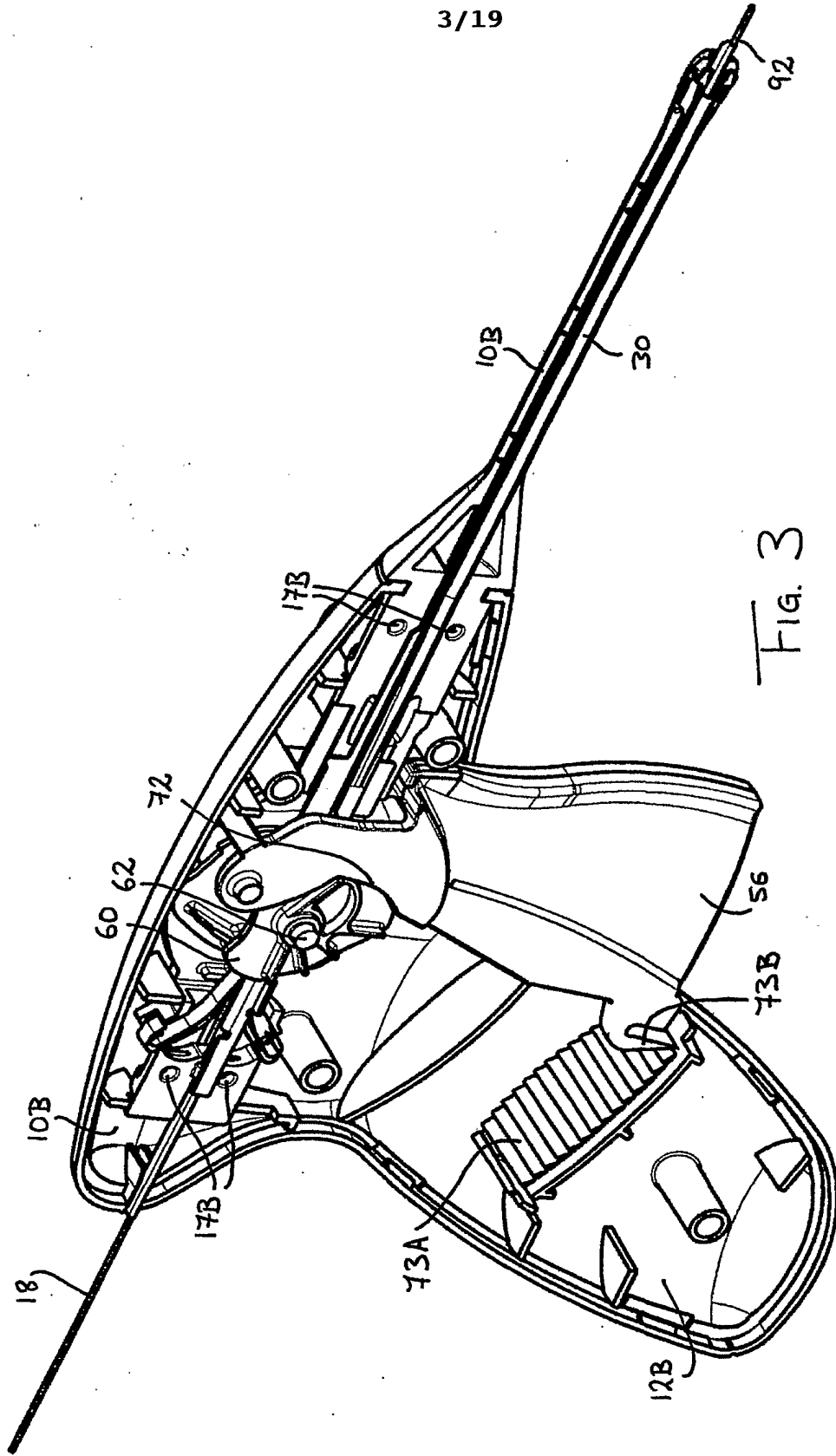
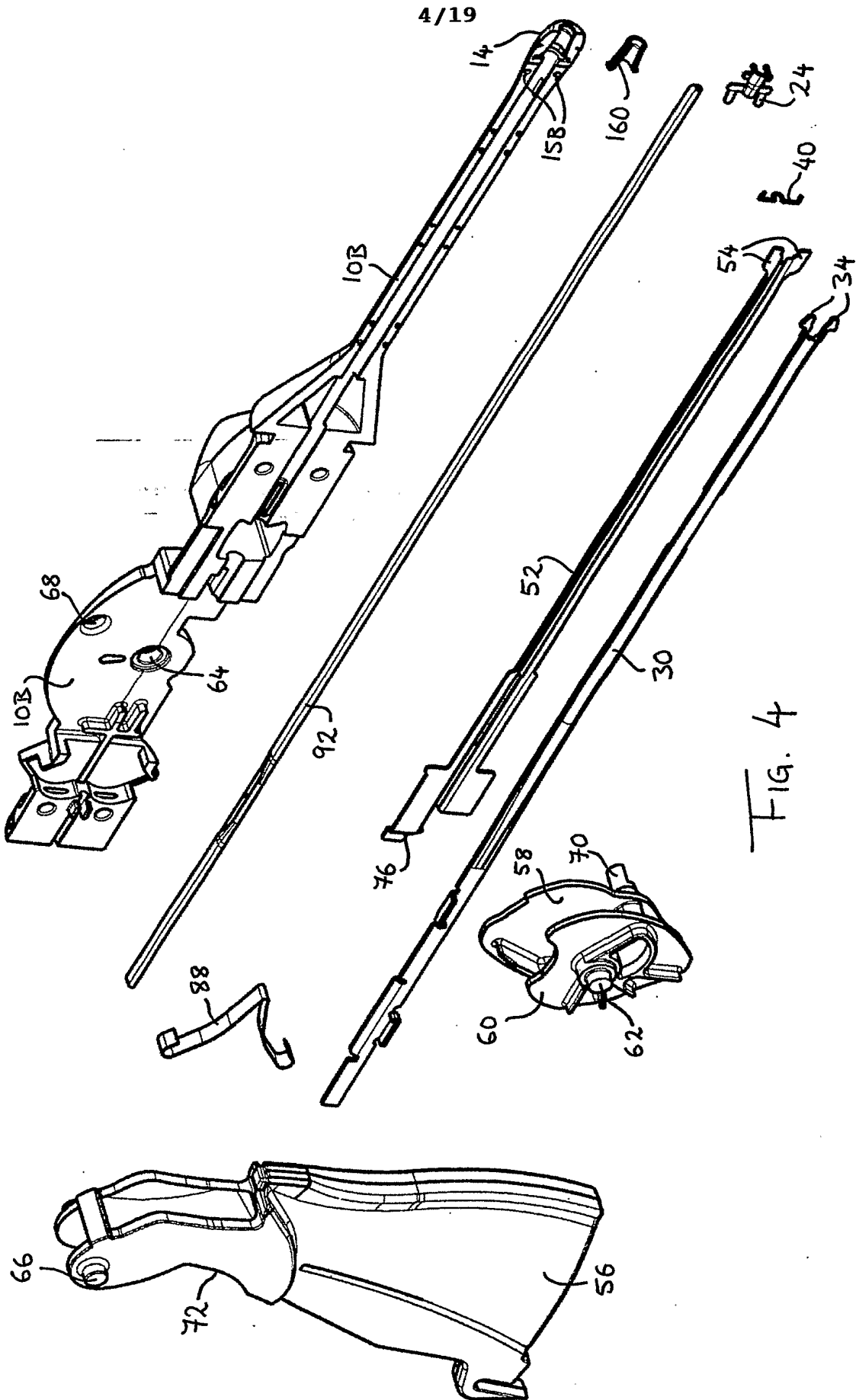


FIG. 3



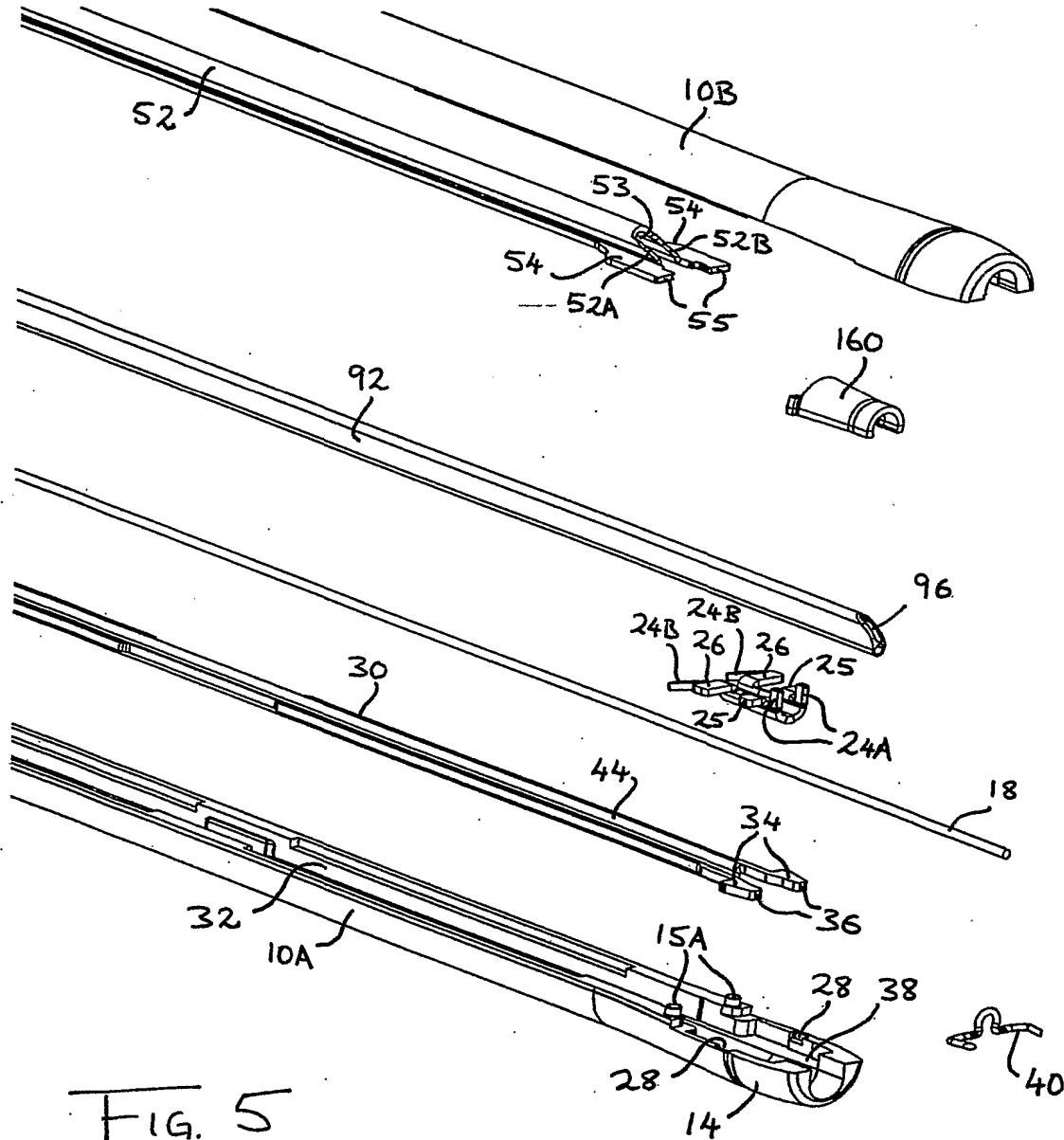


FIG. 5

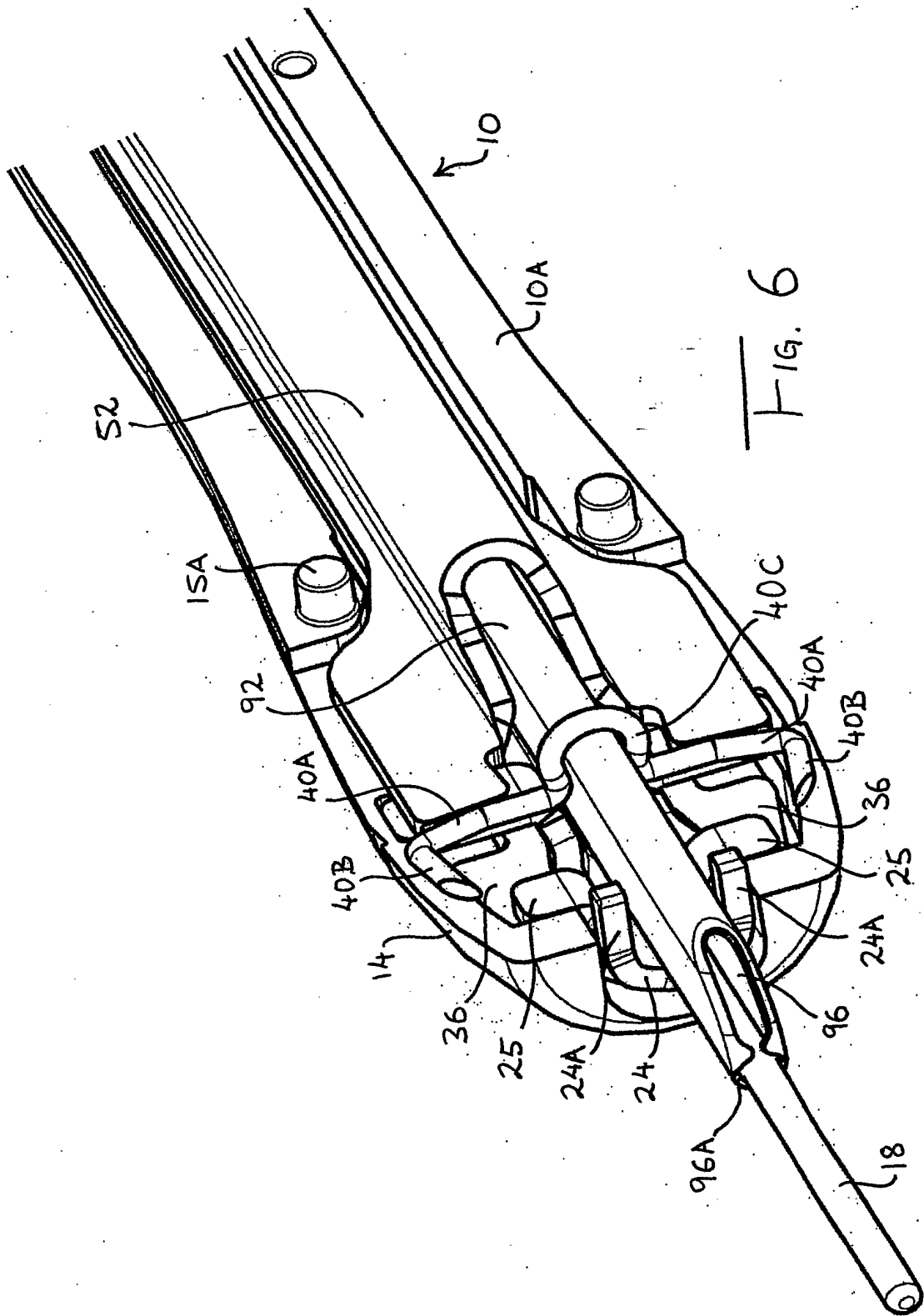


FIG. 6

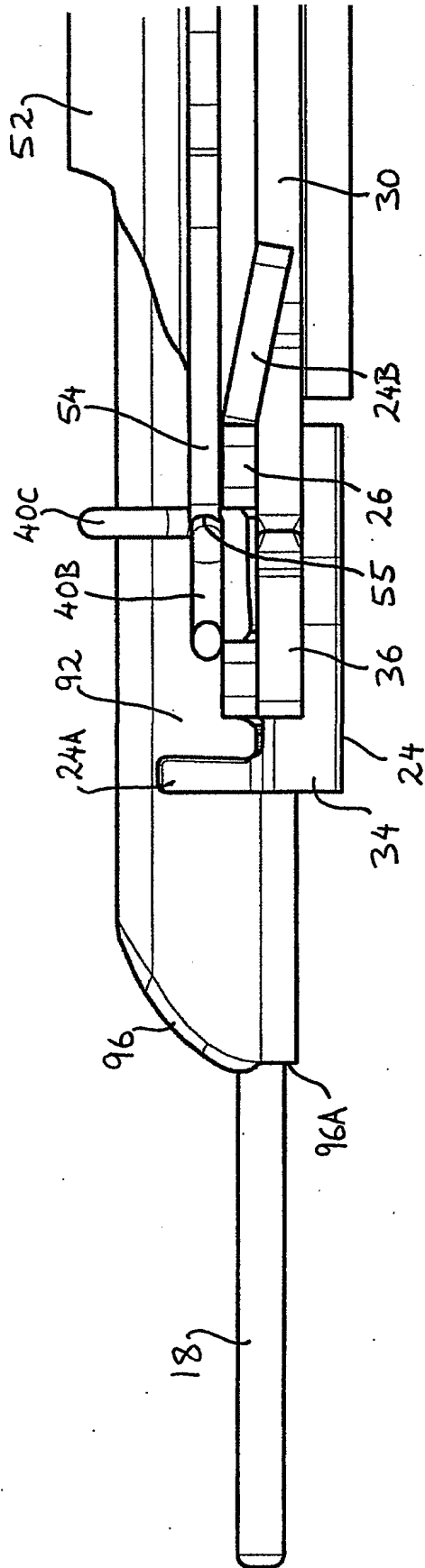


FIG. 7

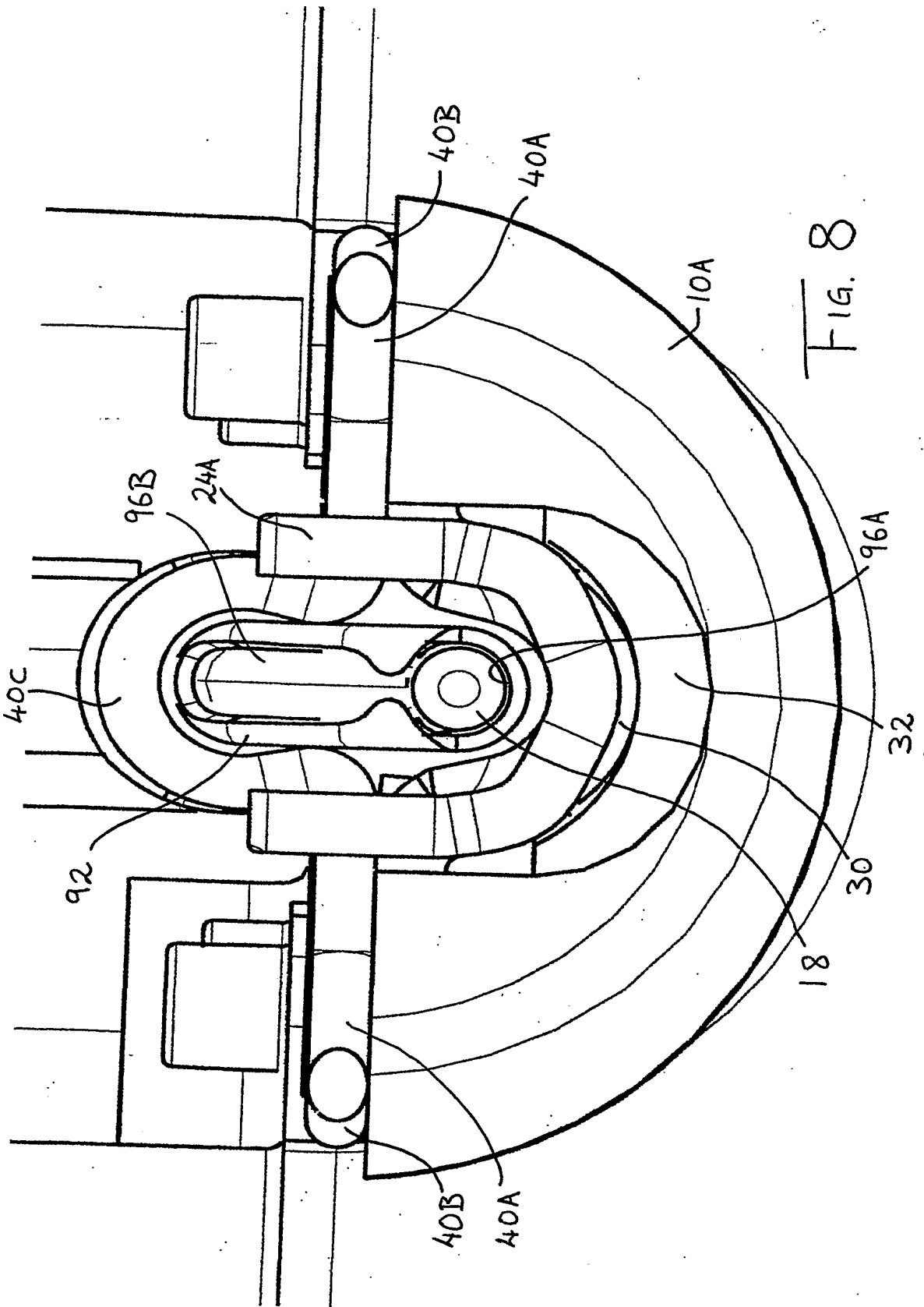
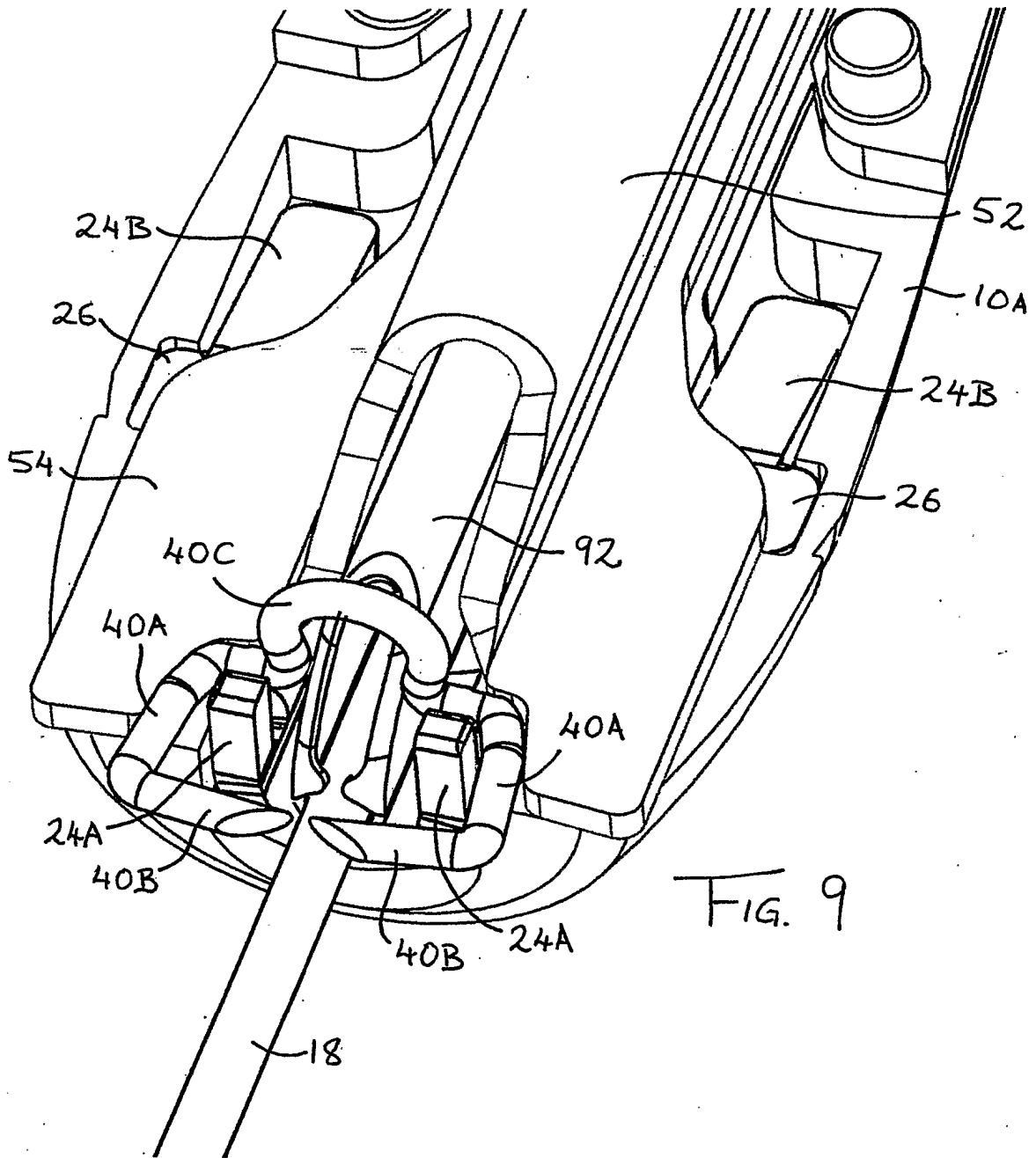


FIG. 8



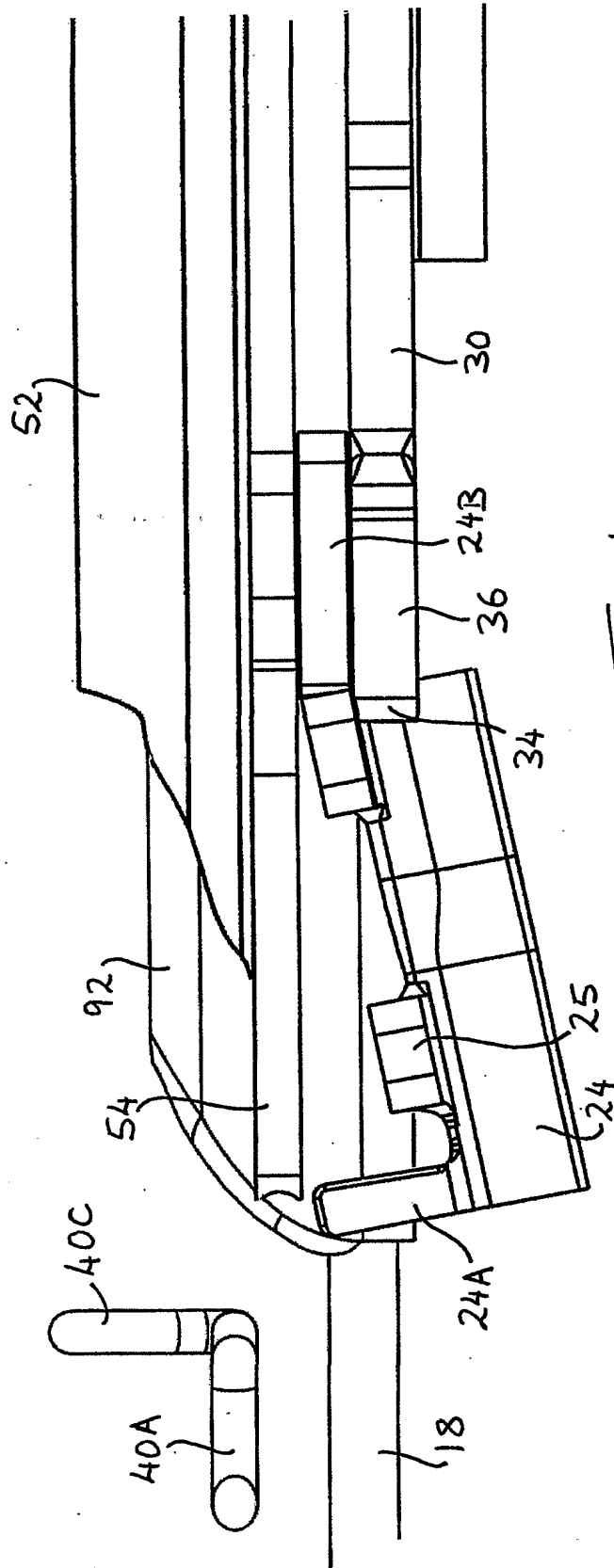
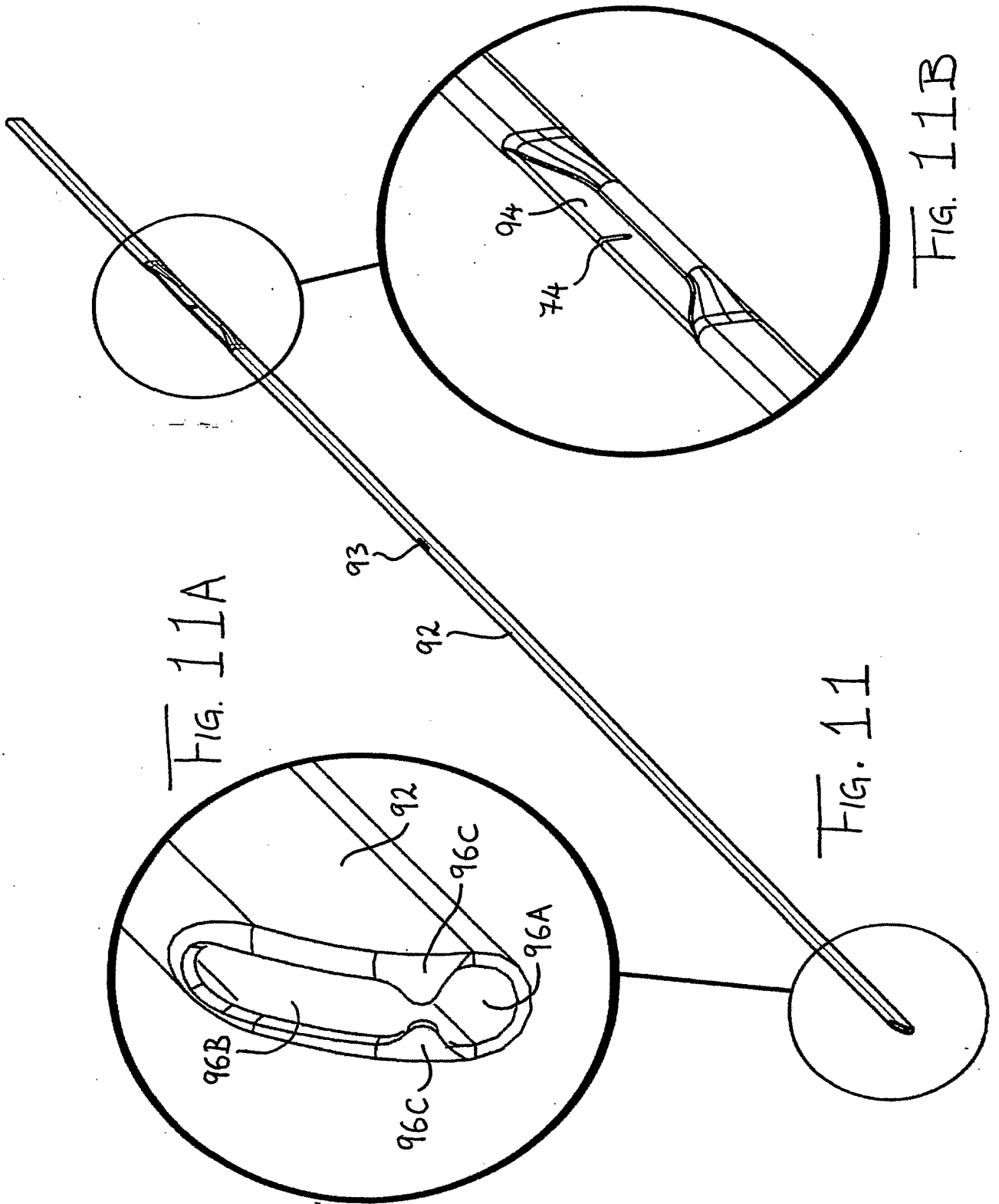


FIG. 10



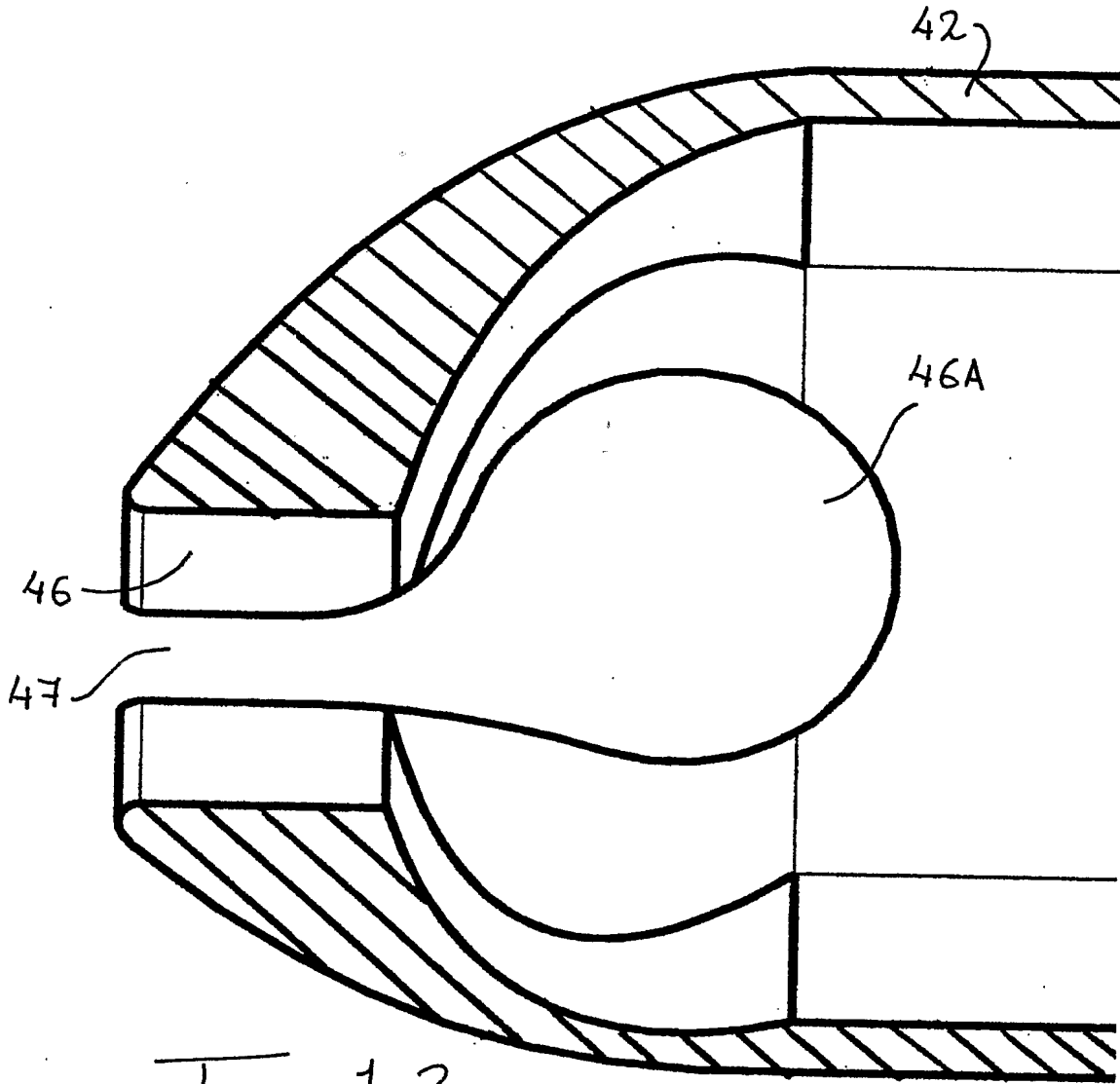


FIG. 12

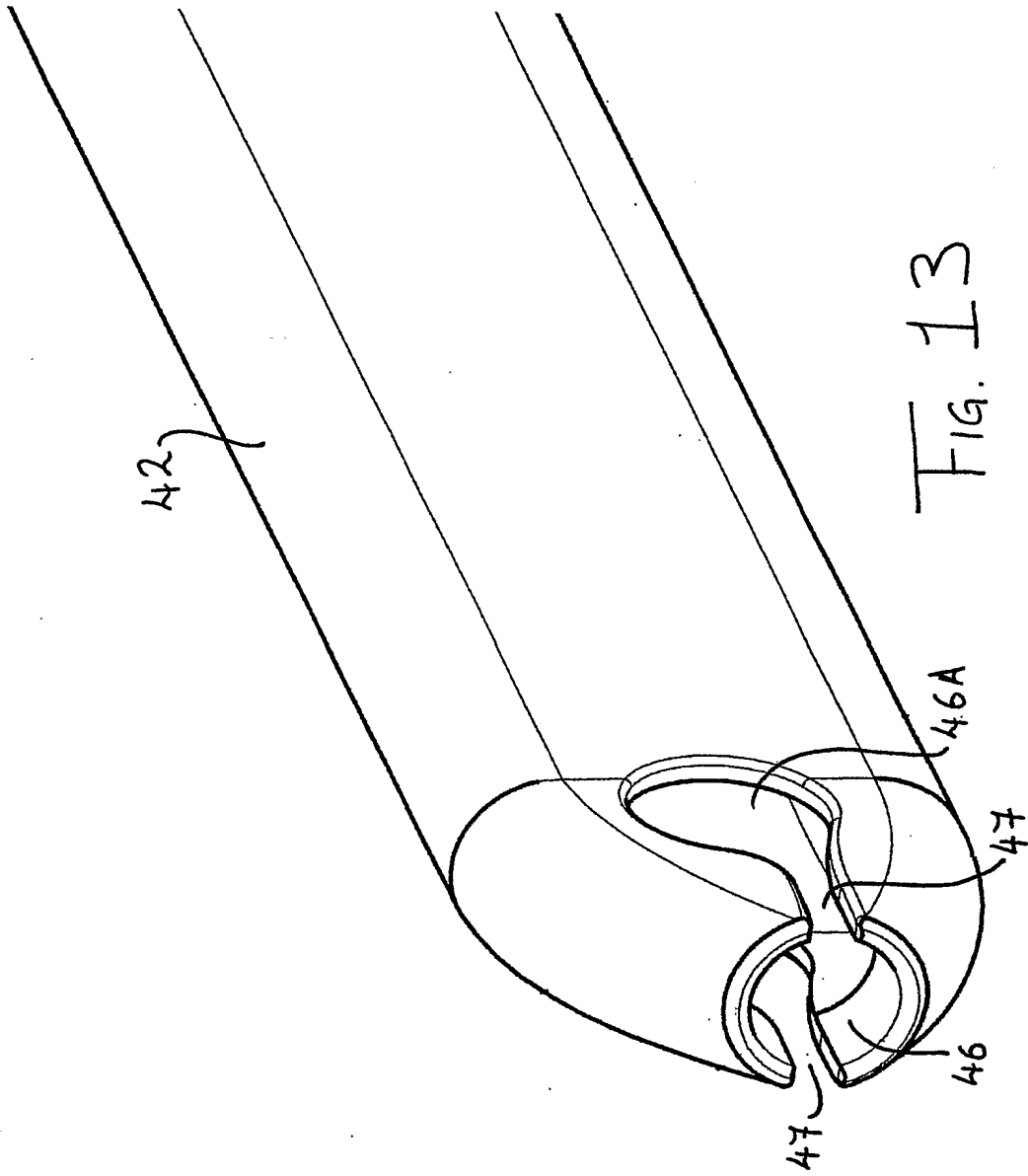


FIG. 13

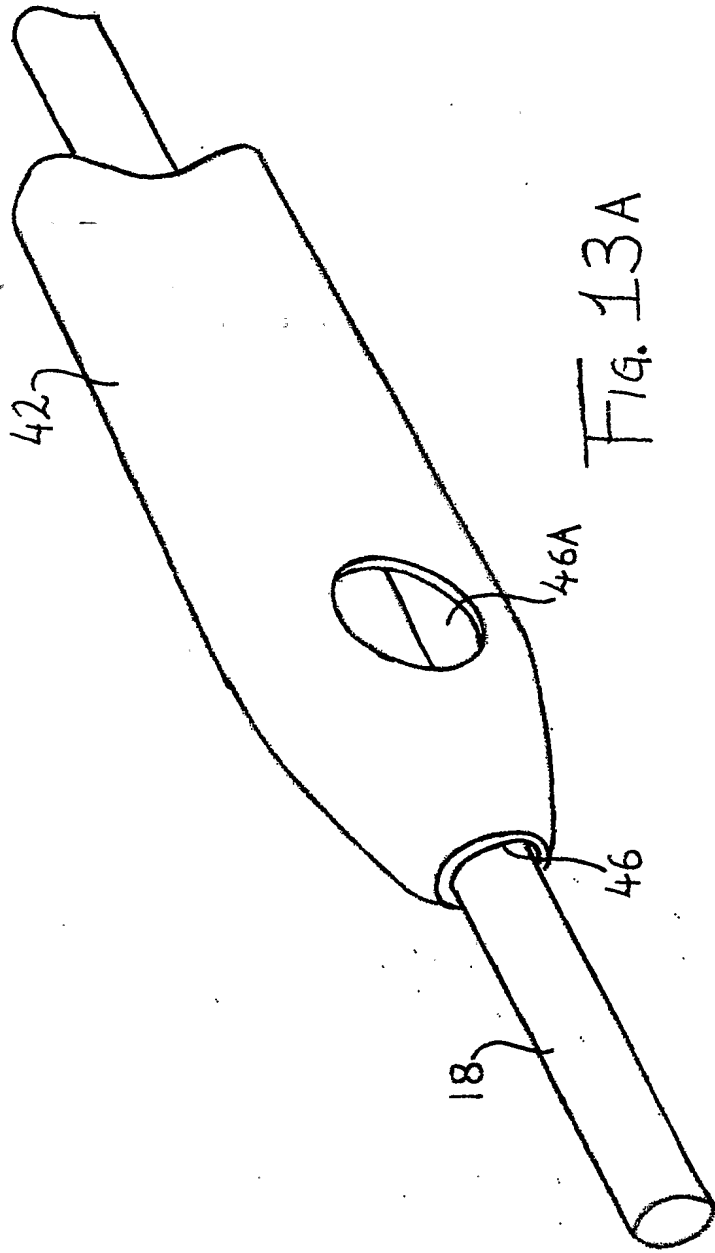


Fig. 13A

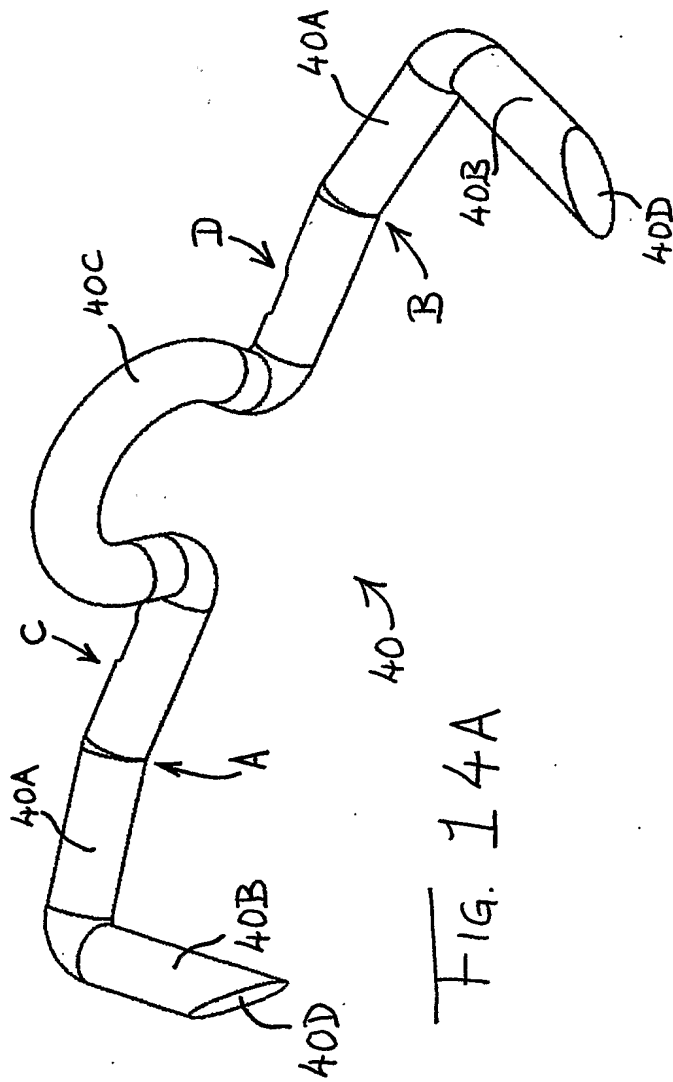


FIG. 14A

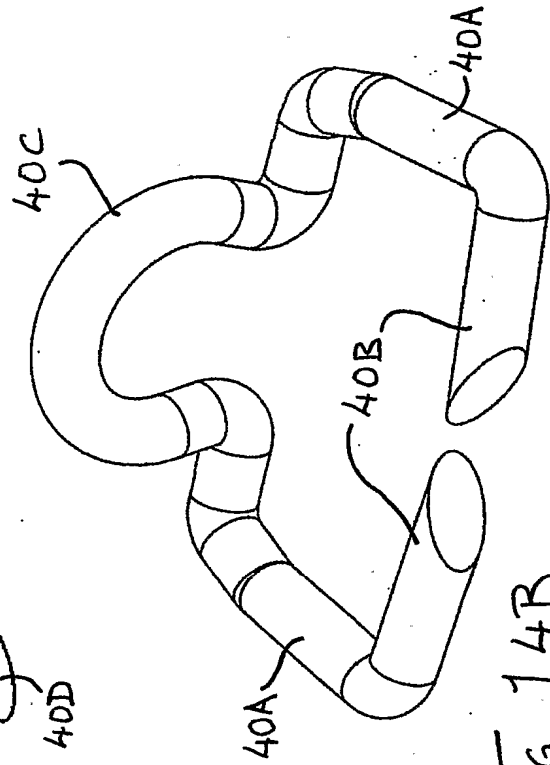
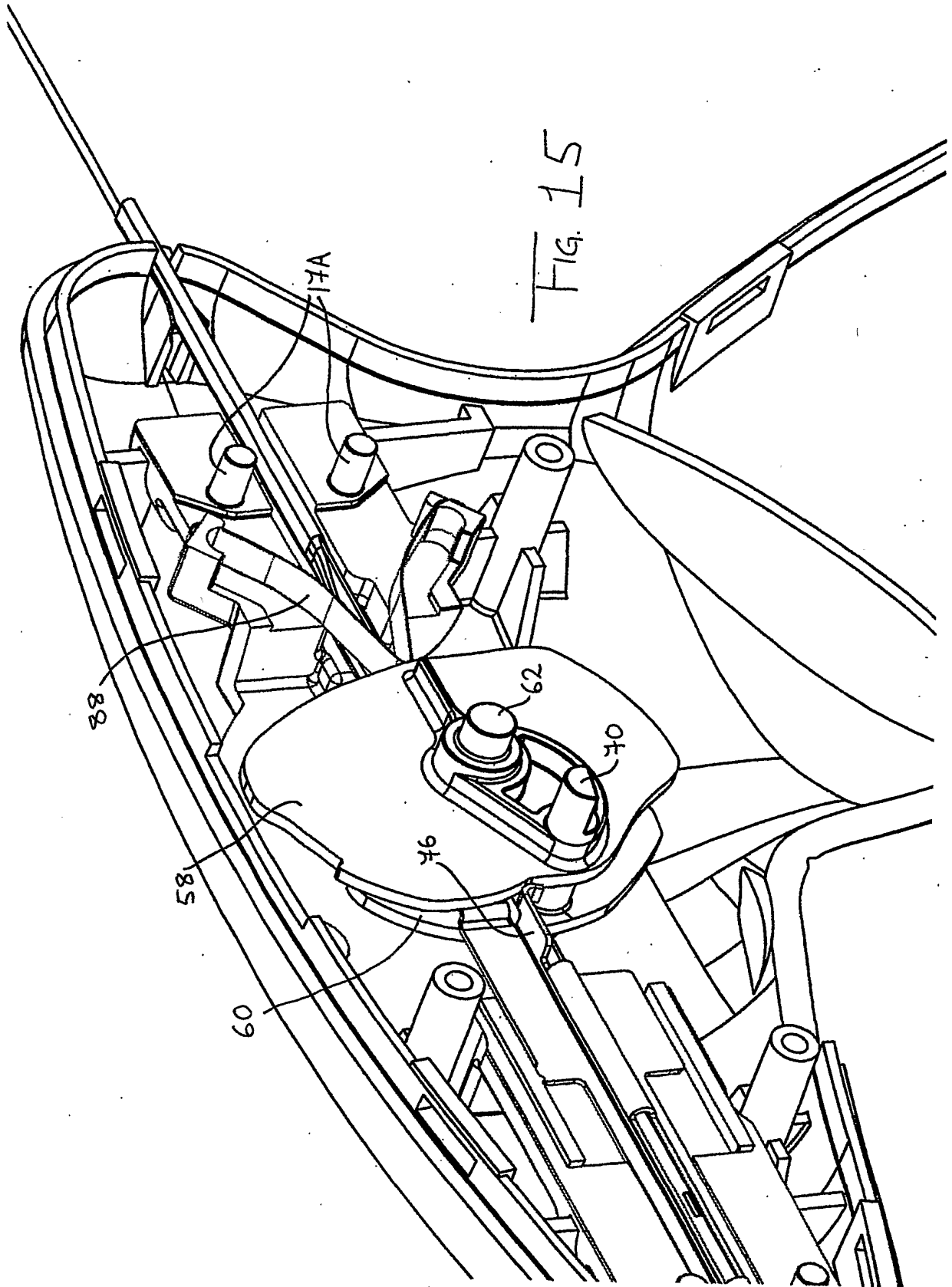


FIG. 14B

FIG. 15



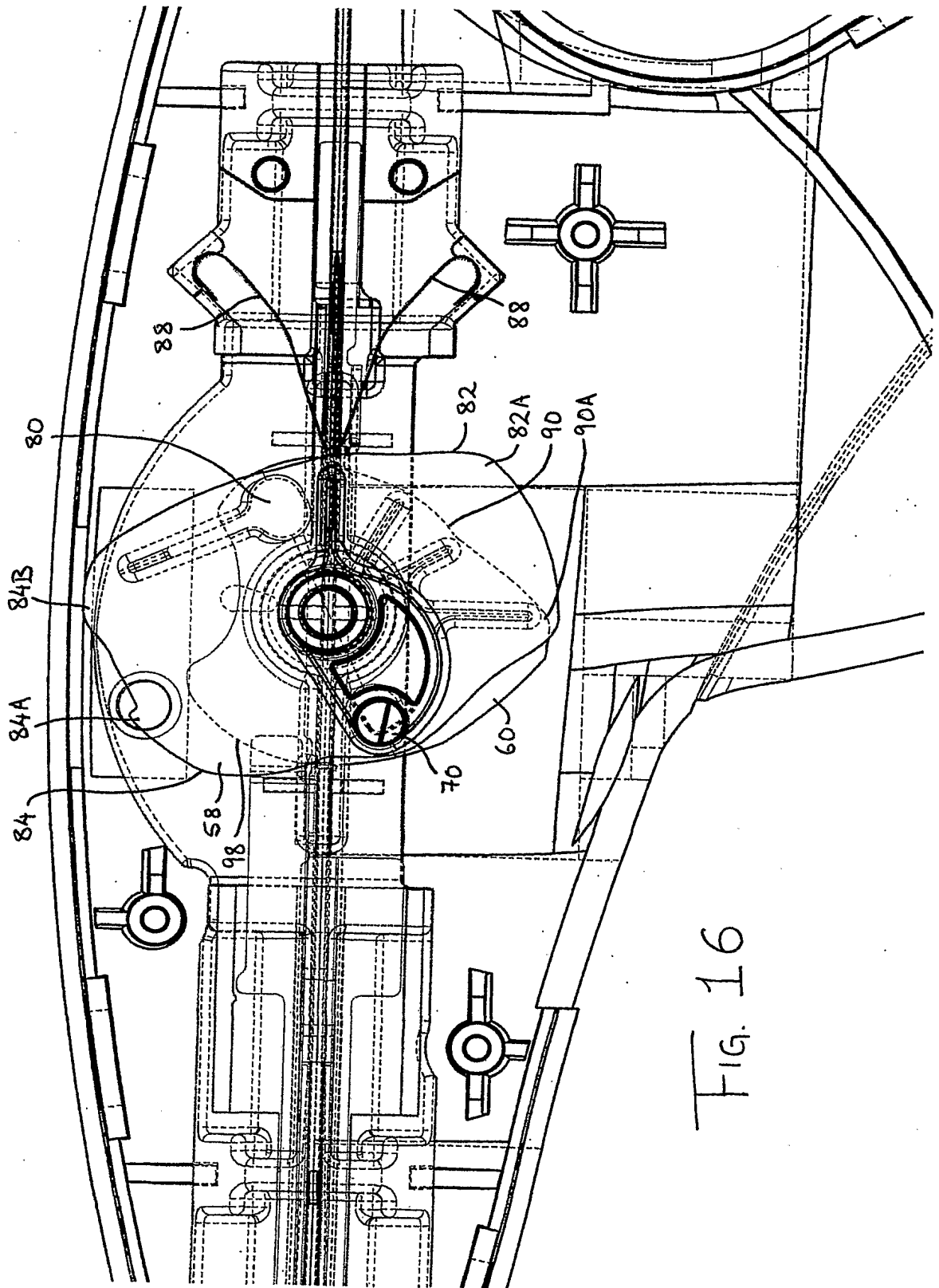
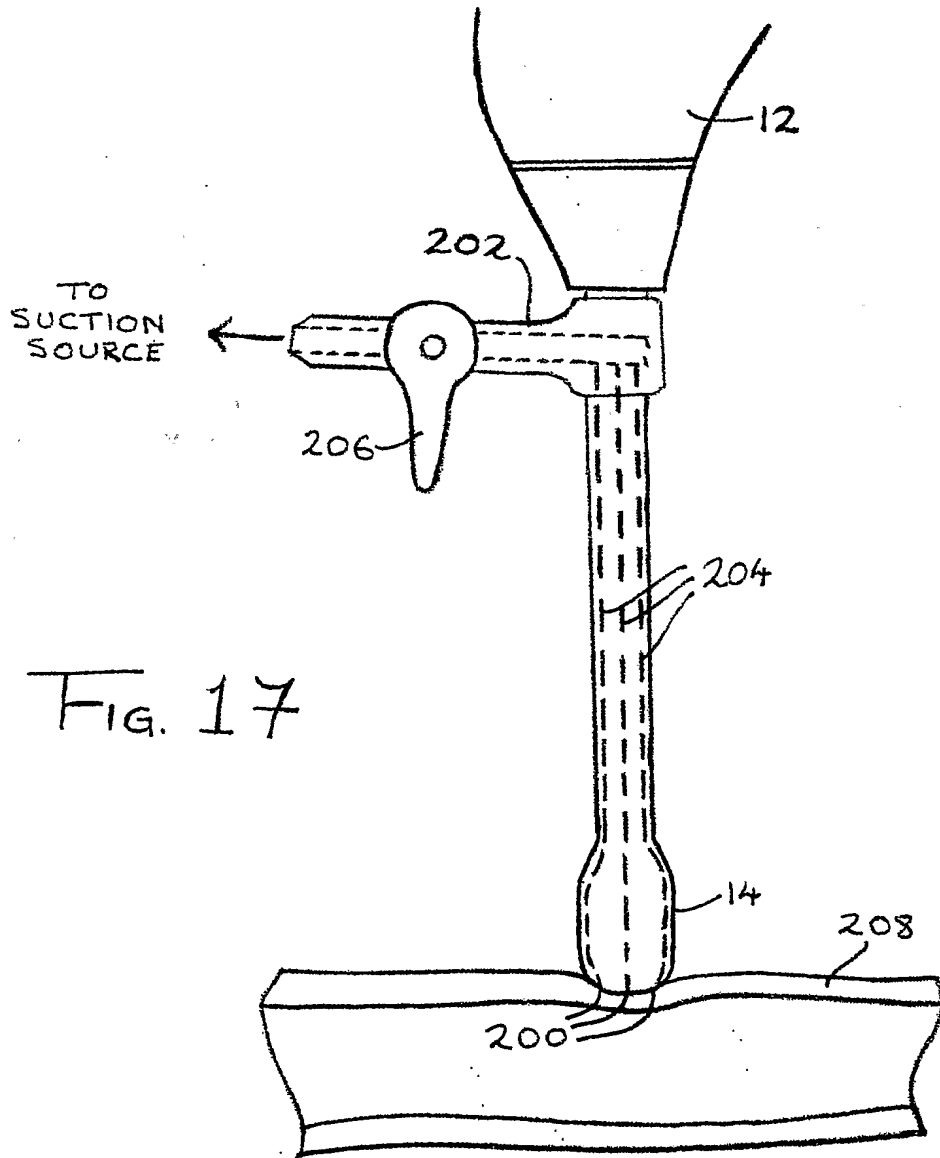


FIG. 16



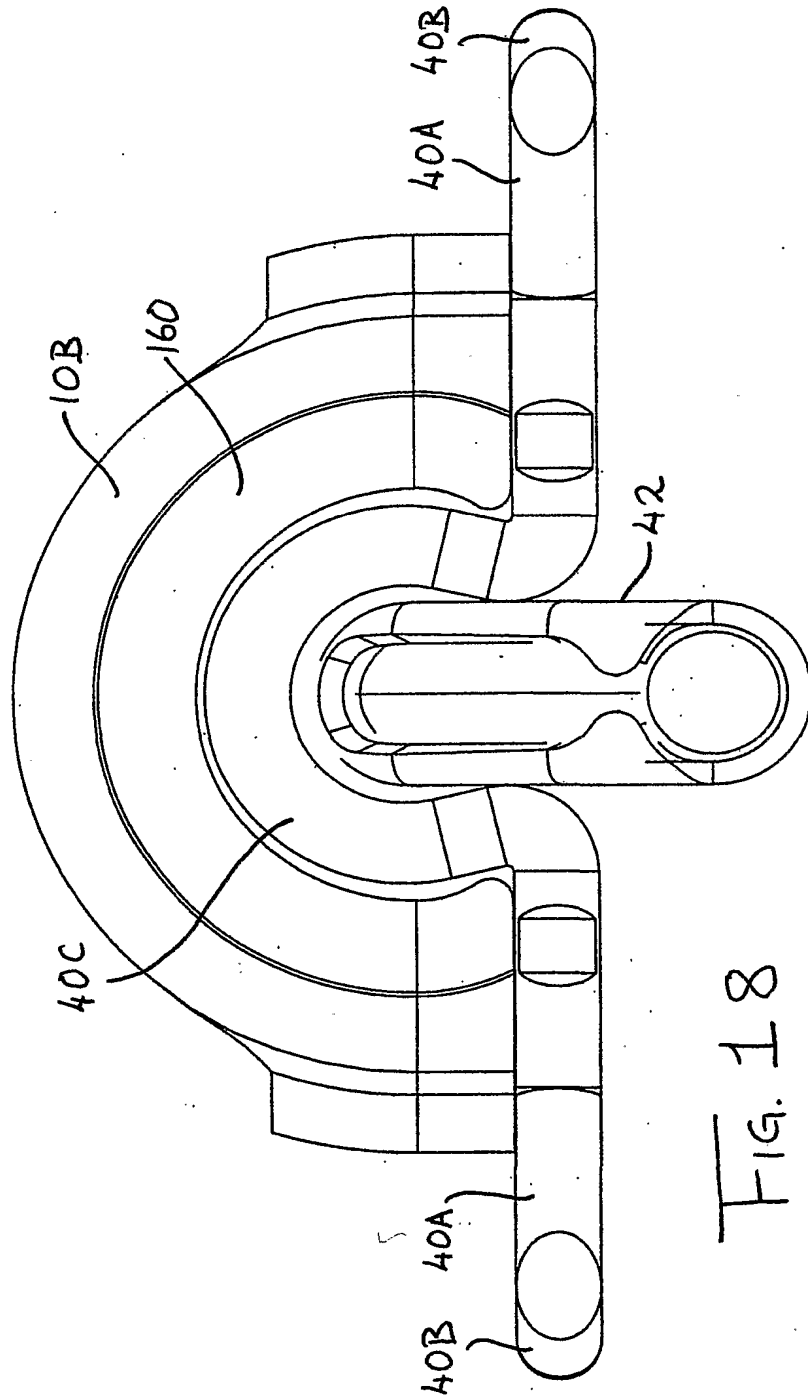


FIG. 18

INTERNATIONAL SEARCH REPORT

International Application No

PCT/IE 01/00118

A. CLASSIFICATION OF SUBJECT MATTER
 IPC 7 A61B17/068 A61B17/064 A61B17/00

According to International Patent Classification (IPC) or to both national classification and IPC

B. FIELDS SEARCHED

Minimum documentation searched (classification system followed by classification symbols)
 IPC 7 A61B

Documentation searched other than minimum documentation to the extent that such documents are included in the fields searched

Electronic data base consulted during the international search (name of data base and, where practical, search terms used)

EPO-Internal

C. DOCUMENTS CONSIDERED TO BE RELEVANT

Category °	Citation of document, with indication, where appropriate, of the relevant passages	Relevant to claim No.
A	WO 98 17179 A (GLEESON MALACHY ; TAYLOR JAMES (GB)) 30 April 1998 (1998-04-30) cited in the application abstract; figures 1-3	1-14
A	US 4 523 695 A (BRAUN KARL ET AL) 18 June 1985 (1985-06-18) abstract; figures 2,3	1-14
A	US 4 789 090 A (BLAKE III JOSEPH W) 6 December 1988 (1988-12-06) abstract; figures 2,3,20	1-14

Further documents are listed in the continuation of box C.

Patent family members are listed in annex.

° Special categories of cited documents :

A document defining the general state of the art which is not considered to be of particular relevance

E earlier document but published on or after the international filing date

L document which may throw doubts on priority claim(s) or which is cited to establish the publication date of another citation or other special reason (as specified)

O document referring to an oral disclosure, use, exhibition or other means

P document published prior to the international filing date but later than the priority date claimed

T later document published after the international filing date or priority date and not in conflict with the application but cited to understand the principle or theory underlying the invention

X document of particular relevance; the claimed invention cannot be considered novel or cannot be considered to involve an inventive step when the document is taken alone

Y document of particular relevance; the claimed invention cannot be considered to involve an inventive step when the document is combined with one or more other such documents, such combination being obvious to a person skilled in the art.

Z document member of the same patent family

Date of the actual completion of the international search

15 November 2001

Date of mailing of the international search report

26/11/2001

Name and mailing address of the ISA

European Patent Office, P.B. 5818 Patentlaan 2
 NL - 2280 HV Rijswijk
 Tel. (+31-70) 340-2040, Tx. 31 651 epo nl,
 Fax: (+31-70) 340-3016

Authorized officer

Hansen, S

INTERNATIONAL SEARCH REPORT

Information on patent family members

International Application No

PCT/IE 01/00118

Patent document cited in search report		Publication date	Patent family member(s)	Publication date
WO 9817179	A	30-04-1998	GB 2318295 A	22-04-1998
			AU 4711697 A	15-05-1998
			DE 69704714 D1	07-06-2001
			EP 0942685 A1	22-09-1999
			WO 9817179 A1	30-04-1998
			JP 2001502218 T	20-02-2001
			US 4523695	A
			AT 19469 T	15-05-1986
			AU 555537 B2	02-10-1986
			AU 1128083 A	18-08-1983
			DE 3363229 D1	05-06-1986
			EP 0085931 A2	17-08-1983
			ES 519643 D0	16-11-1983
			ES 8400863 A1	16-02-1984
			JP 1337651 C	29-09-1986
			JP 58146340 A	31-08-1983
			JP 61004535 B	10-02-1986
			US 4592498 A	03-06-1986
US 4789090	A	06-12-1988	NONE	